



DIVYA INTERNATIONAL

MERCHANT EXPORTER



DIVYA INTERNATIONAL

MERCHANT EXPORTER



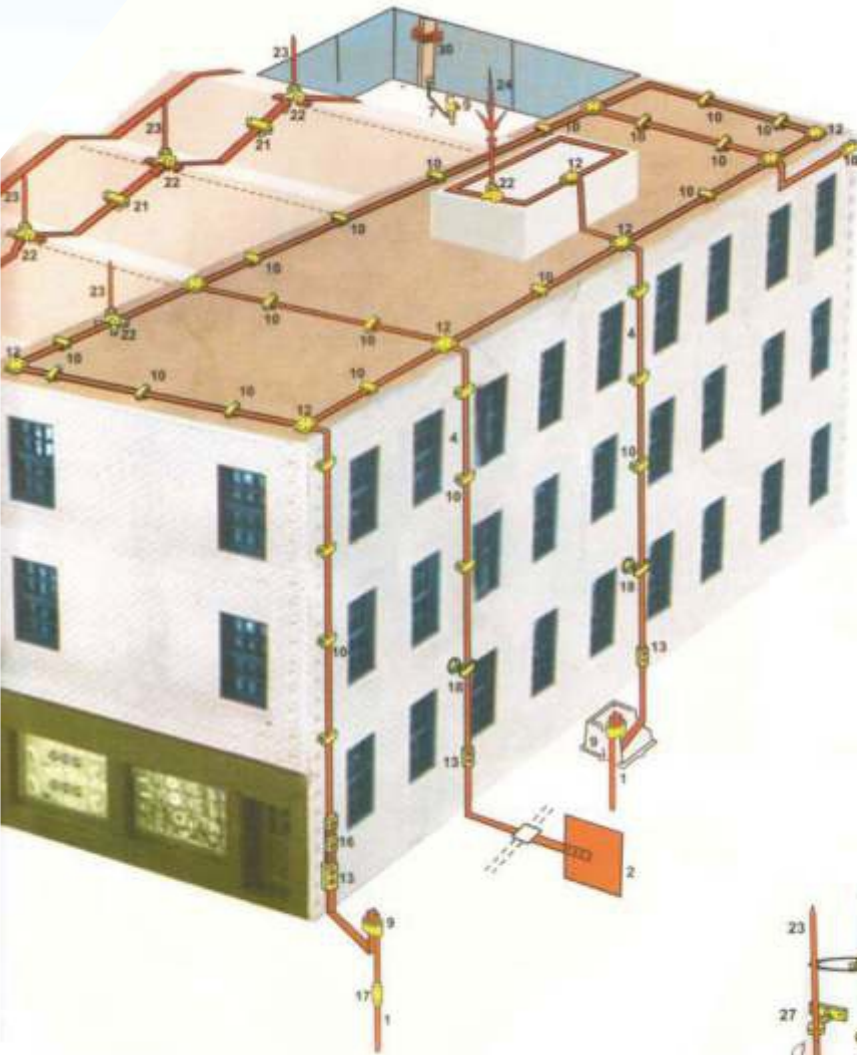
HEMANG VASHI
CEO & MANAGING DIRECTOR

“Divya” Group of Companies was established in the year 2005. We have 30 years of experience in manufacturing and exporting high quality products catering to a wide array of clients in the electrical industry. 20 years of experience in manufacturing and exporting coupled with global exposure and directly related institutions for “DIVYA” group of Companies, India. The group has incorporated itself in various fields, of which Divya International makes the foundation of the group employing 150 personnel in various departments development, production and sales in India, USA, UAE, Australia & European countries .



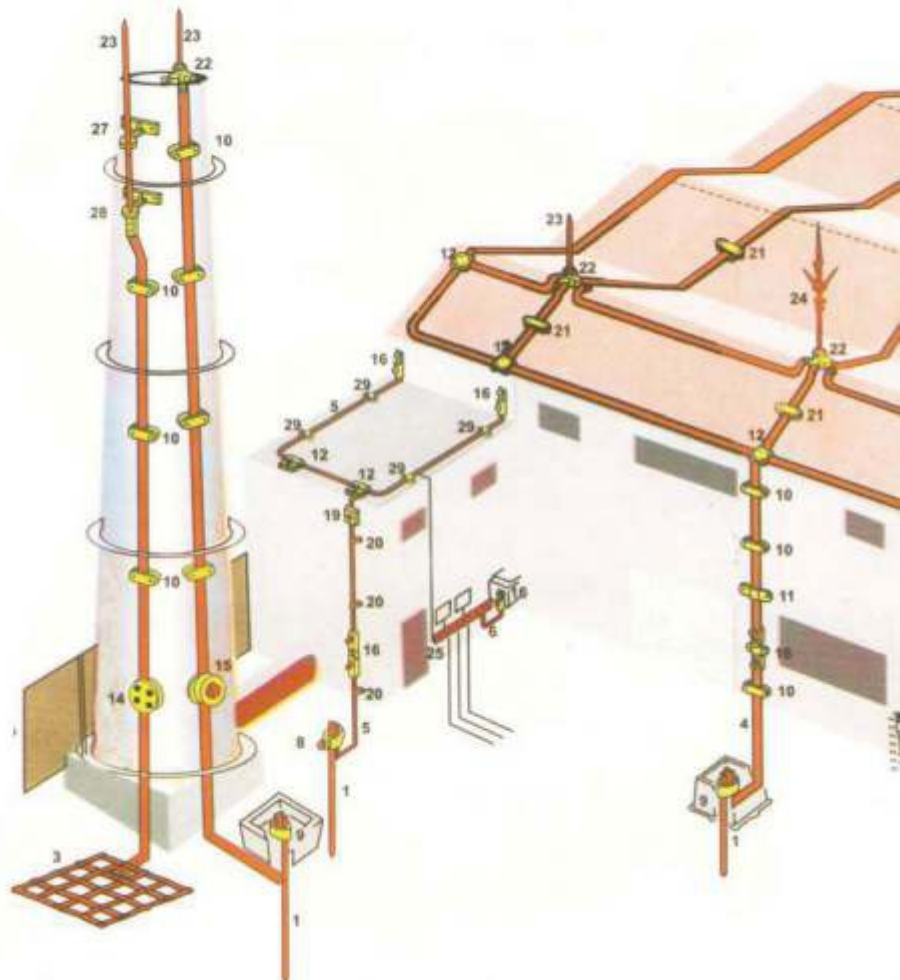
DIVYA INTERNATIONAL

MERCHANT EXPORTER



1. Earth Rod
2. Earth Plate
3. Earth Lattice
4. Copper Tape
5. Solid Circular Conductor
6. PVC Covered Conductor
7. Stranded Conductor
8. Rod to Cable 'G' Clamp
9. Rod to Tape 'A' Clamp
10. DC Tape Clip
11. Tape Clip
12. Square Tape Clamp
13. Oblong Test Clamp
14. Plate Test Clamp
15. Screw Down Test Clamp

16. Bi-Metallic Connector
17. Earth Rod Coupling
18. Back Plate Hold Fast with DC Tape Clip
19. Tower Earth Bond
20. One Hole Clip
21. Slate Hold Fast
22. Air Terminal Base
23. Air Terminal Rods
24. Multiple Points
25. Earth Bars / Disconnecting Links
26. Earth Bonding Points
27. Rod Brackets
28. Rod to Tape Coupling
29. Heavy Duty Conductor Saddle
30. Flexible Connector



SPECIFICATION:

DIVYA range of cable terminals ends have been designed to meet international standards. This ensures compliance with the demands of a majority of end user's like the Electrical Authorities, Contractors, Switch Board Panel Builders, Electrical Wholesale Outlets and Traders.

Copper specification: 99% IACS, to BS 60171981 (1989).

Copper finish: Electro Tinned to BS 18721984 (1984)

The compliance with electrical specification are in accordance with the general requirement's. Initial / Final Resistance, Tensile "Pull Off" test and Cycling Periods, if necessary.

The **DIVYA** range of terminals meet the above specification and refer to standards as follows:

Compression joints for copper connections as per BS 4579 part I 1970 (1988)

We also manufacture the following terminals as per DIN standards:

Copper sealing ferrules as per DIN 46228

Copper Tubular terminals as per DIN 40500

Copper Tubular terminals as per DIN 46235

TEST FACILITIES:

Our engineers utilize the extensive in-house testing facilities to ensure the integrity and performance of every product, that rolls out of our plant.

TOOL ROOM AND CALIBRATION:

We have facilities for making tools & dies for the manufacture of our products.

Our fully trained technicians continuously monitor and check on tooling and 'go & no-go gauge' tolerancing. All equipments are calibrated at regular intervals by registered bodies.

QUALITY:

DIVYA has set strict standards for itself, which it maintains without any compromises. Our focus is on the following areas:

- Knowing the customer's needs
- Faultless planning
- Certified performance
- Clear instruction manual
- Timely delivery
- Efficient after sales service
- Feedback & control
- Value for money

STOCK AVAILABILITY:

Our modern warehousing facilities and storage system's ensure availability of the complete range of products and it's prompt despatch. Strategically positioned, all the complexes are technologically equipped to streamline order processing and delivery.

CABLE TERMINAL ENDS:

As Per International Specifications, Cable terminal is a Connecting device with barrel accommodating respective conductor size of electrical cable & which has fixing arrangements of termination by means of a bolt fixing or pin insertions in tunnel type terminal blocks.

IN - LINE CONNECTORS:

This is a connecting device accommodating two electrical conductor to form a straight line.

A CONVENIENT SOLUTION

DIVYA cable terminals offer the following advantages:

Safe & low cost both in design and use.

All copper products are electro-tinned to BS standard /and this prevents it from corrosion and oxidation.

PVC insulation is provided to terminals for exceptional di-electric strength & for supporting the wire insulation at the base of the terminal thereby ensuring that no bare wire is exposed. It also provides circumferential insulation superior to the wire and prevents the loss of connection due to vibration, or flexing in use.

Entry to the wire barrel is shock-proof, hr bell mouth faster and easier conductor entry.

All the products are manufactured under strict quality control and confirm fully to the specification and requirements.

Our services are always available to solve customer problems and to provide improvements.

PRODUCT USAGE

TERMINAL ENDS: These are more commonly used These tubular terminal ends, manufactured from soft drawn, pure, high conductivity copper tubes conforming to BS 1977. They are fully annealed to ensure qualities of electrical and mechanical strength. These are also produced from aluminum tube'.

IN LINE CONNECTORS & FERRULES: They are manufactured from soft drawn bare copper tube as per BS -1977 and aluminum to obtain high electrical & mechanical strength. They are used for straight through joints for joining of cable conductors.

RING TYPE TERMINAL ENDS: They are manufactured from high conductivity copper and are Electro tinned for corrosion resistance. Ring type terminal ends are available in different sizes, to serve the different joining techniques such as Crimping, Soldering and Welding.

PIN TYPE TERMINAL ENDS: Three types are available in this type of terminal ends Round, Regular and Flat. They are mainly used for Control cables, Terminal station, Flexible cord, For smaller size cable etc. Pin type terminal Ends are generally available for Crimping type of connections which made out of High Conductivity copper.

FORK TYPE TERMINAL ENDS: This type of terminal ends are mainly used for termination of Flexible wires, Cords, Control cables, Metres of control panel / switchboard, Contractors etc, according to the requirements. They are made of High conductivity copper and are for Crimping.

REDUCER PIN TYPE OF TERMINAL ENDS: Reducers or copper pin terminals are produced to meet the needs of cable entering, Copper tunnel clamps such as fine gears, Cutouts, Metres etc. They can be connected by the crimping method.

FIELD OF APPLICATIONS

Electricity Boards: Generation, Distribution, etc.

Electrical Industries: Control panels, Switch gears, Transformers, Circuit breakers

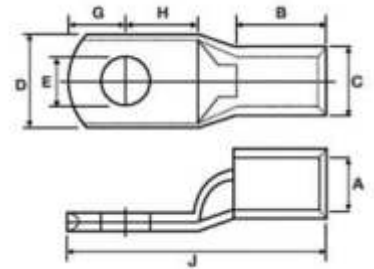
Projects & Industries for Electrical applications : Shipping, Automobile, Steel & Fertilizers, Chemical, Cement and Textile, Chemical Electronics, Mining Aeronautics, Satellite and Communications, etc.



CRIMPING TYPE COPPER TUBULAR CABLE TERMINAL ENDS

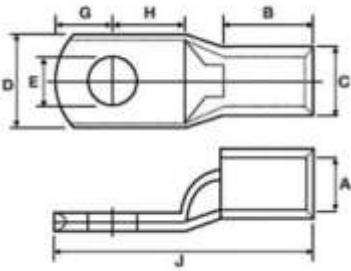
MATERIAL : E-COPPER • FINISH ELECTRO TINNED

Cable mm ²	Stud Hole E	Dimensions							Product Code
		A	C	D	G	H	B	J	
1.5	4.2	1.8	3.7	8	4	5	6	17	DYE 1.5 - 4
	5.2	1.8	3.7	8	4	5	6	17	DYE 1.5 - 5
	6.5	1.8	3.7	10	4	6	6	18	DYE 1.5 - 6
2.5	4.2	2.4	4	8	4	5	8	19	DYE 2.5 - 4
	5.2	2.4	4	8	4	5	8	19	DYE 2.5 - 5
	6.5	2.4	4	10	5	6	8	21	DYE 2.5 - 6
	8.4	2.4	4.2	12	6	9	8	26	DYE 2.5 - 8
4	4.2	3.1	4.8	10	5	6	8	21	DYE 4 - 4
	5.2	3.1	4.8	10	5	6	8	21	DYE 4 - 5
	6.5	3.1	4.8	10	5	6	8	21	DYE 4 - 6
	8.4	3.1	4.8	12	6	9	8	26	DYE 4 - 8
6	5.2	3.8	5.5	10	5	6	10	24	DYE 6 - 5
	6.5	3.8	5.5	10	5	6	10	24	DYE 6 - 6
	8.4	3.8	5.5	12	6	9	10	28	DYE 6 - 8
	10.5	3.8	6.0	15	8	11	10	32	DYE 6 - 10
10	6.5	4.5	6.2	11	6	7	10	26	DYE 10 - 6
	8.4	4.5	6.2	12	6	9	10	28	DYE 10 - 8
	10.5	4.5	6.8	15	8	11	11	33	DYE 10 - 10
16	6.5	5.4	7.1	12	7	7	12	30	DYE 16 - 6
	8.4	5.4	7.1	12	7	7	12	30	DYE 16 - 8
	10.5	5.4	7.6	15	8	12	12	36	DYE 16 - 10
	13	5.4	7.6	17	11	13	12	39	DYE 16 - 12
20	8.4	6	7.7	12	7	7	12	32	DYE 20 - 8
25	6.5	6.8	8.8	13	7	7	12	30	DYE 25 - 6
	8.4	6.8	8.8	13	7	7	12	30	DYE 25 - 8
	10.5	6.8	8.8	15	10	11	13	38	DYE 25 - 10
	13	6.8	9.2	17	10	12	15	41	DYE 25 - 12
35	6.5	8.2	10.6	16	9	9	13.5	37	DYE 35 - 6
	8.4	8.2	10.6	16	9	9	13.5	37	DYE 35 - 8
	10.5	8.2	10.6	16	9	9	13.5	37	DYE 35 - 10
	13	8.2	10.6	18	10	12	13.5	41	DYE 35 - 12
	17	8.2	10.6	22	14	18	13.5	50	DYE 35 - 16
50	8.4	9.5	12.4	18	9	10	17	42	DYE 50 - 8
	10.5	9.5	12.4	18	9	10	17	42	DYE 50 - 10
	13	9.5	12.4	20	10	12	17	45	DYE 50 - 12
	17	9.5	12.4	22	15	15	18	54	DYE 50 - 16
70	8.4	11.3	14.6	21	11	11	18.5	47	DYE 70 - 8
	10.5	11.3	14.6	21	11	11	18.5	47	DYE 70 - 10
	13	11.3	14.6	21	11	11	18.5	47	DYE 70 - 12
	14.5	11.3	14.6	22	14	15	18.5	55	DYE 70 - 14
	17	11.3	14.6	26	14	16	18.5	56	DYE 70 - 16
95	10.5	13.5	17.4	25	12	13	21	53	DYE 95 - 10
	13	13.5	17.4	25	12	13	21	53	DYE 95 - 12
	14.5	13.5	17.4	25	14	15	22	55	DYE 95 - 14
	17	13.5	17.4	25	14	16	22	56	DYE 95 - 16





CRIMPING TYPE COPPER TUBULAR CABLE TERMINAL ENDS

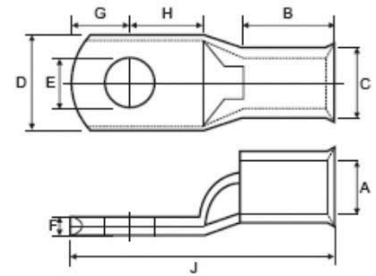


Cable mm ²	Stud Hole E	Dimensions							Product Code
		A	C	D	G	H	B	J	
120	13	15	19.4	28	13	14	23	60	DYE 120 - 12
	14.5	15	19.4	28	13	14	23	60	DYE 120 - 14
	17	15	19.4	28	16	16	23	64	DYE 120 - 16
150	13	16.5	21.2	30	16	16	27	70	DYE 150 - 12
	14.5	16.5	21.2	30	16	16	27	70	DYE 150 - 14
	17	16.5	21.2	30	16	16	27	70	DYE 150 - 16
	21	16.5	21.2	30	16	19	27	73	DYE 150 - 20
185	13	18.5	23.5	34	17	17	32	80	DYE 185 - 12
	14.5	18.5	23.5	34	17	17	32	80	DYE 185 - 14
	17	18.5	23.5	34	17	17	32	80	DYE 185 - 16
	21	18.5	23.5	34	17	17	32	80	DYE 185 - 20
240	13	21	26.5	38	20	20	37	94	DYE 240 - 12
	17	21	26.5	38	20	20	37	94	DYE 240 - 14
	17	21	26.5	38	20	20	37	94	DYE 240 - 16
	21	21	26.5	38	20	20	37	94	DYE 240 - 20
	-	21	26.5	38	-	-	37	94	DYE 240 - BL
300	13	23.5	30	43	22	22	42	102	DYE 300 - 12
	14.5	23.5	30	43	22	22	42	102	DYE 300 - 14
	17	23.5	30	43	22	22	42	102	DYE 300 - 16
	21	23.5	30	43	22	22	42	102	DYE 300 - 20
	-	23.5	30	43	-	-	42	102	DYE 300 - BL
400	13	28.5	36.5	52.5	26	26	44	114	DYE 400 - 12
	14.5	28.5	36.5	52.5	26	26	44	114	DYE 400 - 14
	17	28.5	36.5	52.5	26	26	44	114	DYE 400 - 16
	21	28.5	36.5	52.5	26	26	44	114	DYE 400 - 20
	-	28.5	36.5	52.5	-	-	44	114	DYE 400 - BL
500	17	30	39	56	28	28	48	121	DYE 500 - 16
	21	30	39	56	28	28	48	121	DYE 500 - 20
	-	30	39	56	-	-	48	121	DYE 500 - BL
630	17	35	45	63.8	33	33	58	144	DYE 630 - 16
	21	35	45	63.8	33	33	58	144	DYE 630 - 20
	-	35	45	63.8	-	-	58	144	DYE 630 - BL
630	16	35	41.5	61	25	25	70	144	DYE 630 - 16
630	20	35	41.5	61	25	25	70	144	DYE 630 - 20
800	-	39	50.6	72	-	-	78	170	DYE 800 - BL
1000	-	43	56.2	78.5	-	-	90	200	DYE 1000-BL



CRIMPING TYPE COPPER TUBULAR CABLE TERMINAL ENDS - BELL MOUTH

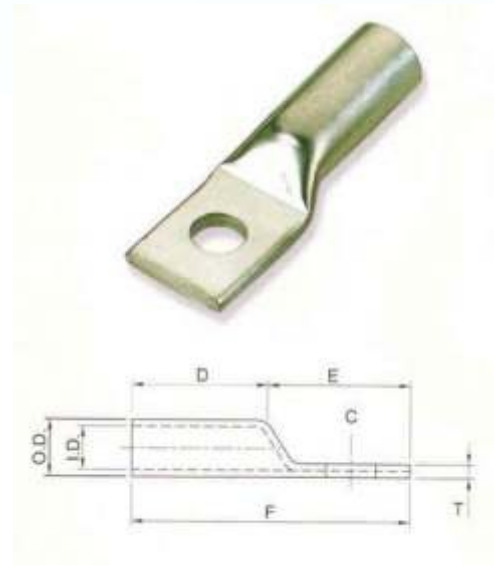
Cable mm ²	Stud Hole E	Dimensions									Product Code
		A	C	D	F	G	H	K	B	J	
10	5.2	4.5	6.2	11	1.2	6	7	3	10	26	DYE-10-5
	6.5	4.5	6.2	11	1.2	6	7	3	10	26	DYE-10-6
	8.4	4.5	6.2	12	1.2	6	9	3	10	28	DYE-10-8
	10.5	4.5	6.8	15	1.5	8	11	3	11	33	DYE-10-10
	13	4.5	6.8	18	1.0	9	11	5	11	36	DYE-10-12
16	5.2	5.4	7.1	12	1.4	7	7	4	12	30	DYE-16-5
	6.5	5.4	7.1	12	1.4	7	7	4	12	30	DYE-16-6
	8.4	5.4	7.1	12	1.4	7	7	4	12	30	DYE-16-8
	10.5	5.5	7.6	15	1.7	8	12	4	12	36	DYE-16-10
	13	5.5	7.6	17	1.5	11	13	4	12	39	DYE-16-13
	17	5.5	7.6	21	1.0	13	14	5	12	44	DYE-16-16
20	8.4	6	7.7	12	1.7	7	7	A	19	32	DYE-20-8
25	6.5	6.8	8.8	13	2	7	7	4	12	30	DYE-25-6
	8.4	6.8	8.8	13	2	7	7	4	12	30	DYE-25-8
	10.5	6.8	8.8	15	1.5	10	11	4	13	38	DYE-25-10
	13	6.8	9.2	17	2	10	12	4	15	41	DYE-25-12
	17	6.8	9.2	21	1.5	13	14	5	15	47	DYE-25-16
35	6.5	8.2	10.6	15.3	2.4	9	9	5	13.5	37	DYE-35-6
	8.4	8.2	10.6	15.3	2.4	9	9	5	13.5	37	DYE-35-8
	10.5	8.2	10.6	15.3	2.4	9	9	5	13.5	37	DYE-35-10
	13	8.2	10.6	15.3	2	10	12	5	13.5	41	DYE-35-12
	17	8.2	10.6	22	1.5	13	14	5	15	47	DYE-35-16
50	6.5	9.5	12.4	17.8	2.9	9	10	6	17	42	DYE-50-6
	8.4	9.5	12.4	17.8	2.9	9	10	6	17	42	DYE-50-8
	10.5	9.5	12.4	17.8	2.9	9	10	6	17	42	DYE-50-10
	13	9.5	12.4	20	2.6	10	12	6	17	45	DYE-50-13
	14.5	9.5	12.4	22	2.2	15	15	6	18	54	DYE-50-14
	17	9.5	12.4	22	2.2	15	15	6	18	54	DYE-50-16
	21	9.5	12.4	26	1.8	16	18	6	18	60	DYE-50-20
70	8.4	11.3	14.6	21	3.5	11	11	6	18.5	47	DYE-70-8
	10.5	11.3	14.6	21	3.5	11	11	6	18.5	47	DYE-70-10
	13	11.3	14.6	21	3.5	11	11	6	18.5	47	DYE-70-12
	14.5	11.3	14.6	22	3.4	14	15	7	18.5	55	DYE-70-14
	17	11.3	14.6	26	2.5	14	16	7	18.5	56	DYE-70-16
	21	11.3	14.6	28	2.3	16	18	9	18.5	63	DYE-70-20
95	8.4	13.5	17.4	25	3.9	12	13	7	21	53	DYE-95-8
	10.5	13.5	17.4	25	3.9	12	13	7	21	53	DYE-95-10
	13	13.5	17.4	25	3.9	12	13	7	21	53	DYE-95-12
	14.5	13.5	17.4	25	3.9	14	15	7	22	55	DYE-95-14
	17	13.5	17.4	25	3.9	14	16	7	22	56	DYE-95-16
	21	13.5	17.4	28	3.5	15	16	10	22	63	DYE-95-20
120	8.4	15	19.4	28	4.4	13	14	9	23	60	DYE-120-8
	10.5	15	19.4	28	4.4	13	14	9	23	60	DYE-120-10
	13	15	19.4	28	4.4	13	14	9	23	60	DYE-120-12
	14.5	15	19.4	28	4.4	13	14	9	23	60	DYE-120-14
	17	15	19.4	28	4.4	16	16	10	23	64	DYE-120-16
21	15	19.4	28	4.4	16	20	10	23	68	DYE-120-20	





COPPER COMPRESSION LUGS - (COLOURED) SHORT BARREL

Cable mm ²	Bolt Size	Colour Code	Dimensions		Product Code
			D	F	
8	#10	RED	7/16	1-1/8	DYE-8
6	#10	BLUE	13/16	1-1/2	DYE-6
6	1/4	BLUE	13/16	M/2	DYE-6
4	#10	GRYE	13/16	1-1/2	DYE-4
4	5/16	GRYE	13/16	1-1/2	DYE-4-516
4	1/4	GRYE	13/16	1-1/2,	DYE-4
3	1/4	WHITE	13/16	1-1/2	DYE-3
2	1/4	BROWN	7/8	1-26/32	DYE-2
2	5/16	BROWN	7/8	1-27/32	DYE-2
2	3/8	BROWN	1-3/32	1-27/32	DYE-2
1	5/16	GREEN	7/8	1-7/8	DYE-1
1	1/4	GREEN	7/8	1-7/8	DYE-1-14
1	3/8	GREEN	7/8	1-7/8	DYE-1-38
1/0	5/16	PINK	7/8	1-7/8	DYE-0
1/0	1/4	PINK	7/8	1-7/8	DYE-0-14
1/0	3/8	PINK	7/8	1-7/8	DYE-0
2/0	3/8	BLACK	15/16	2-3/32	DYE-2/0
2/0	1/4	BLACK	15/16	2-3/32	DYE-2/0-14
2/0	5/16	BALCK	1-7/32	2-3/32	DYE-^0
3/0	3/8	ORANGE	1	2-5/16	DYE-3/0
3/0	1/4	ORANGE	1	2-5/16	DYE-3/0-14
3/0	1/2	ORANGE	1	2-5/16	DYE-3/0
3/0	5/16	ORANGE	1-5/16	2-5/16	DYE-3/0
4/0	3/8	PURPLE	1	2-11/32	DYE-4/0
4/0	1/4	PURPLE	1	2-11/32	DYE-4/0-14
4/0	1/2	PURPLE	1	2-11/32	DYE-4/0
4/0	5/16	PURPLE	1-11/32	2-5/16	DYE-4/0
250MCM	1/2	YELLOW	M/16	2-5/8	DYE-250
250MCM	3/8	YELLOW	1-1/16	2-5/8	DYE-250-38
300MCM	1/2	WHITE	1-1/16	2-5/8	DYE-300
300MCM	3/8	WHITE	1-1/16	2-5/8	DYE-300-38
300MCM	5/16	WHITE	1-1/16	2-5/8	DYE-300-516
300MCM	5/8	WHITE	1-1/16	2-5/8	DYE-300-58
350MCM	1/2	RED	1-1/8	2-11/16	DYE-350
400MCM	5/8	BLUE	1-3/16	3-5/16	DYE-400
400MCM	1/2	BLUE	1-3/16	3-5/16	DYE-400-12
500MCM	5/8	BROWN	1-3/8	3-1/2	DYE-500
500MCM	1/2	BROWN	1-3/8	3-1/2	DYE-500-12
600MCM	5/8	GREEN	1-1/2	3-5/8	DYE-600
600MCM	1/2	GREEN	1-1/2	3-5/8	DYE-600-12
700MCM	5/8	PINK	1-3/8	3-31/32	DYE-700
750MCM	5/8	BLACK	1-5/8	4-11/32	DYE-750
1000MCM	5/8	WHITE	1-7/8	4-7/8	DYE-1000

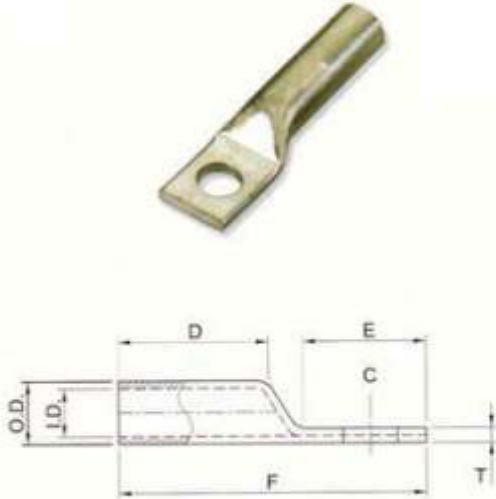




DIVYA INTERNATIONAL

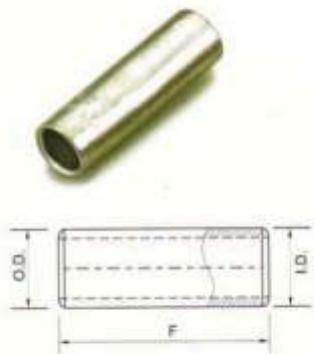
MERCHANT EXPORTER

COPPER COMPRESSION LUGS - LONG BARREL



Wire Size	Bolt Size	Colour	Dimensions		Product Code
			D	F	
8	-	RED	1-1/8	1-5/2	DYE-8L
6	0.250	BLUE	1-1/8	1-13/16	DYE-6L
4	0.250	GRYE	1-1/8	1-13/16	DYE-4L
4	0.312	GRYE	1-1/8	1-13/16	DYE-4L-516
3.	0.250	WHITE	1-1/8	1-13/16	DYE-3L
2	0.312	BROWN	1-1/4	2-7/32	DYE-2L
2	0.250	BROWN	1-1/4	2-7/32	DYE-2L-38
2	0.375	BROWN	1-1/4	2-7/32	DYE-2L-38
1	0.312	GREEN	1-3/8	2-3/8	DYE-1L
1/0	0.312	PINK	1-3/8	2-3/8	DYE-1/0L
2/0	0.375	BLACK	M/2	2-21/32	DYE-2/0L
3/0	0.500	ORANGE	1-1/2	2-29/32	DYE-3/0L
4/0	0.500	PURPLE	1-5/8	2-31/32	DYE-4/0L
250MCM	0.500	YELLOW	1-5/8	3-3/16	DYE-2500L
300MCM	0.500	WHITE	2	3-9/16	DYE-300L
350MCM	0.500	RED	2	3-9/16	DYE-350L
400MCM	0.625	BLUE	2-1/8	4-1/4	DYE-400L
500MCM	0.625	BROWN	2-1/4	4-3/8	DYE-500L
600MCM	0.625	GREEN	2-1/4	4-15/32	DYE-600-L
750MCM	0.625	BLACK	2-7/8	5-15/32	DYE-750L
1000MCM	0.625	WHITE	3	6.0	DYE-1000L

COPPER COMPRESSION SLEEVES - LONG BARREL



Wire Size	Colour	Dimensions			Product Code
		F	O.d Inch	I.d Inch	
8	RED	1-1/8	9/32	11/64	DYE-8
6	BLUE	1-3/4	19/64	13/34	DYE-6
4	GRYE	1-7/8	11/32	1/4	DYE-4
3	WHITE	1-3/4	3/8	9/32	DYE-3
2	BROWN	1-7/8	27/64	5/16	DYE-2
1	GREEN	1-7/8	15/32	23/64	DYE-1
1/0	PINK	1-7/8	33/64	25/64	DYE1/0
2/0	BLACK	2	9/16	7/16	DYE-2/0
3/0	ORANGE	2-1/8	39/64	31/64	DYE-3/0
4/0	PURPLE	2-1/8	11/16	35/64	DYE-4/0
300MCM	WHITE	2-1/4	13/16	21/32	DYE-300
350MCM	RED	2-3/8	7/8	11/16	DYE-350
400MCM	BLUE	2-1/2	15/16	3/4	DYE-400
500MCM	BROWN	2-7/8	1-1/16	53/64	DYE-500
600MCM	GREEN	2-7/8	1-5/16	59/64	DYE-600



COPPER COMPRESSION SLEEVES - LONG BARREL

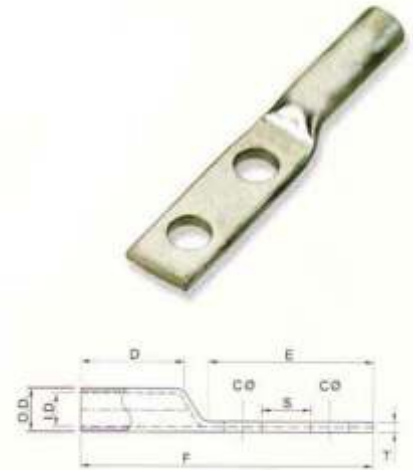
Wire Size	Colour	Dimensions			Product Code
		F	O.d Inch	I.d Inch	
8	RED	1-3/4	9/32	11/64	DYE-8
6	BLUE	2-3/8	19/34	13/54	DYE-6
4	GRYE	2-3/8	11/32	1/4	DYE-4
3	WHITE	2-3/8	3/2	9/32	DYE-3
2	BROWN	2-5/8	27/54	5/16	DYE-2
1	GREEN	2-7/8	15/32	23/64	DYE-1
1/0	PINK	2-7/8	33/64	25/64	DYE-1/0
2/0	BLACK	3-1/8	9/16	7/16	DYE-2/0
3/0	ORANGE	3-1/8	39/64	31/64	DYE-3/0
4/0	PURPLE	3-3/8	11/16	35/64	DYE-4/0
300MCM	WYETE	4-1/8	13/16	21/32	DYE-300
400MCM	BLUE	4-3/8	15/16	3/4	DYE-400
500MCM	BROWN	4-5/8	1-1/16	53/64	DYE-500
600MCM	GREEN	4-5/8	1-3/16	59/64	DYE-600



COPPER COMPRESSION LUGS - LONG BARREL - 2 HOLES

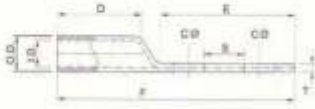
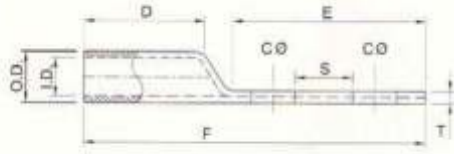
MATERIAL : E-COPPER FINISH ELECTRO TINNED

Cable mm ²	Bolt Size	Colour	Dimensions		Product Code
			D	F	
2	5/16(2)	BROWN	1-1/4	3	DYE-2L2
2	1/2(2)	BROWN	1-1/4	4-13/16	DYE-2L2
2	10(2)	BROWN	1-1/4	3-5/16	DYE-2L2-10-34
2	1/4(2)	BROWN	1-1/4	3-5/16	DYE-2L2-14-58
2	1/4(2)	BROWN	1-1/4	3-5/16	DYE--2L2-14-34
2	1/4(2)	BROWN	1-1/4	3-5/16	DYE-8-2L2-14-1
2	5/16(2)	BROWN	1-1/4	3-5/16	DYE-2L2-516-58
2	5/16(2)	BROWN	1-1/4	3-5/16	DYE-2L2-516-34
2	5/16(2)	BROWN	1-1/4	3-5/16	DYE-2L2-516-1
2	3/8(2)	BROWN	1-1/4	3-5/16	DYE-2L2-38-58
2	3/8(2)	BROWN	1-1/4	3-5/16	DYE-2L2-38-34
2	3/8(2)	BROWN	1-1/4	3-5/16	DYE-2L2-38-78
2	3/8(2)	BROWN	1-1/4	3-5/16	DYE-2L2-38-1
2	4-1/2	BROWN	1-1/4	4-1/2	DYE-8-2L2-12-134
1	3-7/16	GREEN	1-3/8	3-7/16	DYE-1L2
1	3-7/16	GREEN	1-3/8	3-7/16	DYE-1L2-14-58
1	4-3/4	GREEN	1-3/8	4-3/4	DYE-1L2
1/0	5/16(2)	PINK	1-3/8	3-7/16	DYE-1/0L2
1/0	1/2(2)	PINK	1-3/8	4-29/32	DYE-1/0L2
8	5/16(2)	RED	13/16	2.19	DYE-8L2
8	1/2(2)	RED	13/16	2.19	DYE-8L2





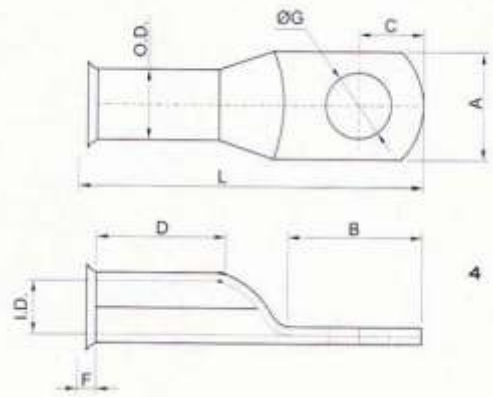
COPPER COMPRESSION LUGS - LONG BARREL 2 HOLES



Wire Size	Bolt Size	Colour Code	Dimensions D	Product Code
6	1/4(2)	BLUE	1-1/8	DYE-6L2
6	#10(2)	BLUE	1-1/8	DYE-6L2-10-34
6	1/4(2)	BLUE	1-1/8	DYE-6L2-14-58
6	1/4(2)	BLUE	1-1/8	DYE-6L2-14-34
6	1/4(2)	BLUE	1-1/8	DYE-6L2-14-1
6	5/16(2)	BLUE	1-1/8	DYE-6L2-516-1
6	3/8(2)	BLUE	1-1/8	DYE-6L2-38-34
6	3/8(2)	BLUE	1-1/8	DYE-6L2-38-78
6	3/8(2)	BLUE	1-1/8	DYE-6L2-38-1
4	1/4(2)	BLUE	1-1/8	DYE-4L2
4	1/2(2)	GRYE	1-1/8	DYE-4L2
4	#10(2)	GRYE	1-1/8	DYE-4L2-10-34
4	1/4(2)	GRYE	1-1/8	DYE-4L2-14-58
4	1/4(2)	GRYE	1-1/8	DYE-4L2-14-34
4	1/4(2)	GRYE	1-1/8	DYE-4L2-14-1
4	5/16(2)	GRYE	1-1/8	DYE-4L2-516-58
4	5/16(2)	GRYE	1-1/8	DYE4L2-516-34
4	5/16(2)	GRYE	1-1/8	DYE-4L2-516-1
4	3/8(2)	GRYE	1-1/8	DYE-4L2-38-34
4	3/8(2)	GRYE	1-1/8	DYE-4L2-38-1
4	1/2(2)	GRYE	1-1/8	DYE-4L2-12-134
3	1/4(2)	WHITE	1-1/8	DYE-3L2
3	3/8(2)	WHITE	1-1/8	DYE-3L2
2/0	1/2(2)	BLACK	1-1/2	DYE-2/0L2
3/0	0(2)	ORANGE	1-1/2	DYE-3/0L2
4/0	1/2(2)	PURPLE	1-5/8	DYE-4/0L2
250MCM	1/2(2)	YELLOW	1-5/8	DYE-250L2
250MCM	3/8(2)	YELLOW	1-5/8	DYE-250L2-38-1
250MCM	3/8(2)	YELLOW	1-5/8	DYE-250L2-38-134
300MCM	1/2(2)	WHITE	2	DYE-300L2
350MCM	1/2(2)	RED	2	DYE-350L2
400MCM	1/2(2)	BLUE	2-1/8	DYE-400L2
500MCM	1/2(2)	BROWN	2-1/4	DYE-500L2
600MCM	1/2(2)	GREEN	2-1/4	DYE-600L2
*700MCM	1/2(2)	PINK	2-1/4	DYE-700L2
*750MCM	1/2(2)	BLACK	2-7/8	DYE-750L2
*1000MCM	1/2(2)	WHITE	3	DYE-1000L2



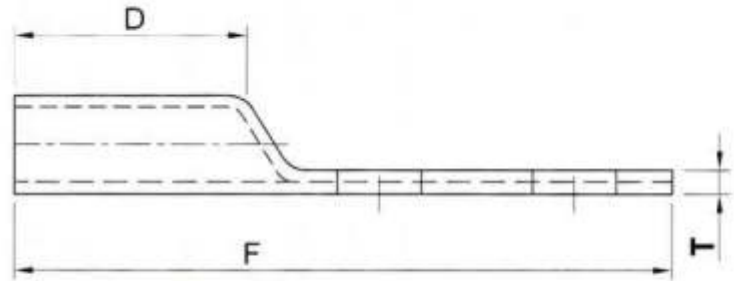
CRIMPING TYPE COPPER TUBULAR CABLE TERMINAL ENDS



Amp Rating	Wire Size	Bolt Size	Dimensions										Product Code
			I.D	O.D	L	A	B	C	D	E	F	G	
35	8	1/4	4.72	6.35	32.00	11.58	17.15	8.64	13.97	1.78	2.54	6.40	DYE-86
	8	5/16	4.72	6.35	32.00	11.58	17.15	8.64	13.97	1.78	2.54	8.41	DYE-88
	8	3/8	4.72	6.35	35.18	14.48	17.15	8.64	13.97	1.78	2.54	10.49	DYE-810
	8	1/2	4.72	6.35	42.55	16.26	20.62	9.78	13.97	1.78	2.54	13.00	DYE-812
50	6	1/4	5.89	7.92	32.64	13.72	17.78	7.62	13.97	1.78	2.54	6.40	DYE-66
	6	5/16	5.89	7.92	32.64	13.72	17.78	7.62	13.97	1.78	2.54	8.41	DYE-68
	6	3/8	5.89	7.92	32.64	13.72	17.78	7.62	13.97	1.78	2.54	10.49	DYE-610
	6	1/2	5.89	7.92	42.55	16.26	20.82	9.78	13.97	1.78	2.54	13.00	DYE-612
70	4	1/4	7.14	9.04	40.64	13.72	20.32	7.37	14.73	1.83	2.54	6.40	DYE-46
	4	5/16	7.14	9.04	40.64	13.72	20.32	7.37	14.73	1.83	2.54	8.41	DYE-48
	4	3/8	7.14	9.04	40.64	14.48	20.32	9.78	14.73	1.83	2.54	10.49	DYE-410
	4	1/2	7.14	9.04	40.64	14.48	20.32	9.78	14.73	1.83	2.54	13.00	DYE-412
90	2	1/4	8.43		43.94	16.51	19.61	8.43	17.02	1.83	2.54	6.40	DYE-26
	2	5/16	8.43		43.94	16.51	19.61	8.43	17.02	1.83	2.54	8.41	DYE-28
	2	3/8	8.43		43.94	16.51	19.61	8.43	17.02	1.83	2.54	10.49	DYE-210
	2	1/2	8.43		43.94	16.51	19.61	8.43	17.02	1.83	2.54	13.00	DYE-106
125	1/0	1/4	10.19		48.56	18.59	21.34	10.16	19.30	2.24	2.54	6.40	DYE-106
	1/0	5/16	10.19		48.56	18.59	21.34	10.16	19.30	2.24	2.54	8.41	DYE-108
	1/0	3/8	10.19		48.56	18.59	21.34	10.16	19.30	2.24	2.54	10.49	DYE-1010
	1/0	1/2	10.19		48.56	18.59	21.34	10.16	19.30	2.24	2.54	13.00	DYE-1012
150	2/0	1/4	11.58		55.88	20.83	24.38	11.05	21.59	2.54	2.54	6.40	DYE-206
	2/0	5/16	11.58		55.88	20.83	24.38	11.05	21.59	2.54	2.54	8.41	DYE-208
	2/0	3/8	11.58		55.88	20.83	24.38	11.05	21.59	2.54	2.54	10.49	DYE-2010
	2/0	1/2	11.58		55.88	20.83	24.38	11.05	21.59	2.54	2.54	13.00	DYE-2012
175	3/0	3/8	12.93		57.62	22.95	25.04	12.52	21.45	2.67	2.54	6.40	DYE-3010
	3/0	1/2	12.93		57.62	22.95	25.04	12.52	21.45	2.67	2.54	13.00	DYE-3012
225	4/0	3/8	14.94		17.63	26.31	28.40	13.34	23.11	2.79	2.54	10.49	DYE-4010
	4/0	1/2	14.94		17.63	26.31	28.40	13.34	23.11	2.79	2.54	13.00	DYE-4012



COPPER COMPRESSION LUGS - COLOURED SHORT BARREL, 2 HOLES



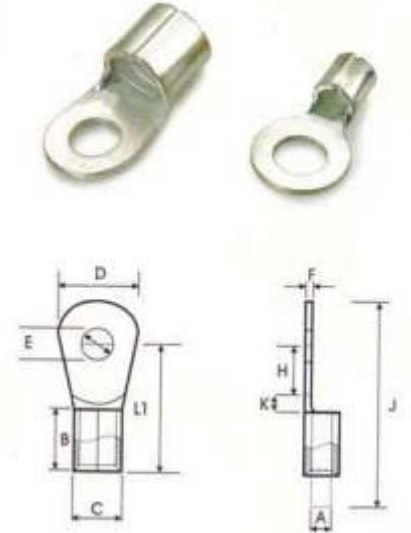
WIRE SIZE	BOLT SIZE	HOLE SPACING	Dimensions		Colour Code	Product Code
			D	F		
8	10	0.625	1.82	0.44	Red	DYE-8L2
6	1/4	0.625	2.09	0.71	Red	DYE-6L2
4	1/4	0.625	2.09	0.71	Gray	DYE-4L2
2	5/16	0.75	2.62	0.83	Brown	DYE-2L2
1	1/4	0.625	2.28	0.83	Green	DYE-112
1/0	5/16	0.875	2.64	0.83	Pink	DYE-1/0 L2
1/0	3/8	1	2.83	0.83	Pink	DYE-1/0-3812
2/0	3/8	1	2.99	0.94	Black	DYE-2/012
2/0	j M2	1.75	4.17	0.94	Black	DYE-2/0-12L2
3/0	1/2	1.75	4.29	0.98	Orange	DYE-3/0L2
4/0	1/2	1.75	4.29	0.98	Purple	DYE4/0L2
4/0	3/8	1	3.11	0.98	Purple	DYE-4/0-38L2
250 MCM	1/2	1.75	4.41	1.06	Yellow	DYE-250L2
300 MCM	1/2	1.75	4.41	1.06	White	DYE-300L2
350 MCM	1/2	1.75	4.53	1.10	Red	DYE-350L2
400 MCM	1/2	1.75	4.69	1.18	Blue	DYE-400L2
500 MCM	1/2	1.75	4.88	1.38	Brown	DYE-500L2
600 MCM	3/8	1.75	4.96	1.50	Green	DYE-600L2
600 MCM	1/2	1.75	5.04	1.50	Green	DYE-600-12L2
750 MCM	1/2	1.75	5.51	1.85	Black	DYE-75012



RING TYPE TINNED COPPER CABLE TERMINAL ENDS (NON INSULATED)

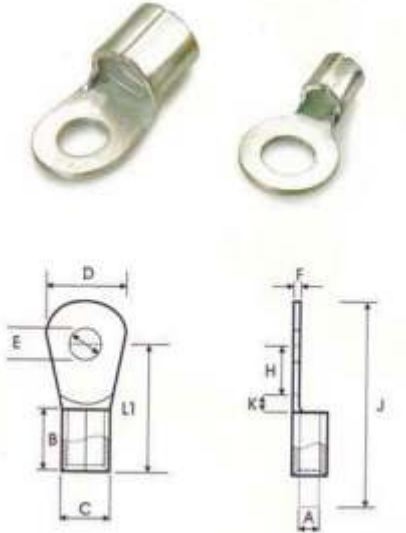
Specification : E.C. Grade 99.9% IACS

Cable mm ²	Stud Hole E	Dimensions									Product Code
		A	C	D	F	B	K	H	L1	J	
1.5	3.2	1.6	3.2	6.8	0.8	5	1.0	3.6	9.6	13	DYE 7153
	3.7	1.6	3.2	6.8	0.8	5	1.0	3.6	9.6	13	DYE 7048
	4.2	1.6	3.2	6.6	0.8	5	1.0	3.6	9.6	13	DYE 7049
	2.2	1.6	3.2	6	0.8	5	2.0	4.0	11	14	DYE 7103
	2.6	1.6	3.2	6	0.8	5	2.0	4.0	11	14	DYE 7000
	3.2	1.6	3.2	6	0.8	5	2.0	4.0	11	14	DYE 7001
	3.7	1.6	3.2	6	0.8	5	2.0	4.0	11	14	DYE 7002
	4.2	1.6	3.2	6	0.8	5	2.0	4.0	11	14	DYE 7003
	4.2	1.6	3.2	7	0.8	5	1.0	5.0	11	14.5	DYE 7154
	3.2	1.6	3.2	8	0.8	5	2.0	5.0	12	16	DYE 7104
	4.2	1.6	3.2	8	0.8	5	2.0	5.0	12	16	DYE 7004
	5.2	1.6	3.2	8	0.8	5	2.0	5.0	12	16	DYE 7005
	4.2	1.6	3.1	10	0.8	5	2.0	6.0	13	18	DYE 7105
	5.2	1.6	3.2	10	0.8	5	2.0	6.0	13	18	DYE 7006
6.4	1.6	3.2	10	0.8	5	2.0	6.0	13	18	DYE 7007	
6.4	1.6	3.2	12	0.8	5	1.0	6.0	12	18	DYE 7106	
2.5	3.2	2.3	3.9	6.5	0.8	5	1.0	3.5	9.5	12.7	DYE 7107
	3.7	2.3	3.9	6.5	0.8	5	1.0	3.5	9.5	12.7	DYE 7008
	3.7	2.3	3.9	8	0.8	5	2.0	5.0	12	16	DYE 7108
	4.2	2.3	3.9	8	0.8	5	2.0	5.0	12	16	DYE 7009
	5.2	2.3	3.9	8	0.8	5	2.0	5.0	12	16	DYE 7010
	5.2	2.3	3.9	10	0.8	5	1.0	7.0	13	18	DYE 7109
	6.4	2.3	3.9	10	0.8	5	1.0	7.0	13	18	DYE 7011
	5.2	2.3	3.9	12	0.8	5	2.0	9.0	16	22	DYE 7110
	6.4	2.3	3.9	12	0.8	5	2.0	9.0	16	22	DYE 7012
	8.2	2.3	3.9	12	0.8	5	2.0	9.0	16	22	DYE 7013
	6.4	2.3	3.9	16	0.8	5	2.0	10.0	17	25	DYE 7111
	8.2	2.3	3.9	16	0.8	5	2.0	10.0	17	25	DYE 7014
	10.2	2.3	3.9	16	0.8	5	2.0	10.0	17	25	DYE 7015
	10.2	2.3	3.9	18	0.8	5	1.0	14.0	20	29	DYE 7151
12.7	2.3	3.9	18	0.8	5	1.0	14.0	20	29	DYE 7047	
4-6	4.2	3.5	5.5	8	1.0	6	2.0	5.0	13	17	DYE 7155
	5.2	3.5	5.5	8	1.0	6	2.0	5.0	13	17	DYE 7050
	4.2	3.5	5.5	10	1.0	6	3.0	5.0	14	19	DYE 7112
	5.2	3.5	5.5	10	1.0	6	3.0	5.0	14	19	DYE 7016
	5.2	3.5	5.5	12	1.0	6	2.0	6.0	14	20	DYE 7113
	6.4	3.5	5.5	12	1.0	6	2.0	6.0	14	20	DYE 7017
	8.2	3.5	5.5	12	1.0	6	2.0	6.0	14	20	DYE 7018
	5.2	3.5	5.5	12	1.0	6	3.0	7.0	16	22	DYE 7114
	6.4	3.5	5.5	12	1.0	6	3.0	7.0	16	22	DYE 7019
	5.2	3.5	5.5	8	1.0	6	3.0	9.8	18.8	22.8	DYE 7157
	6.4	3.5	5.5	14	1.0	6	2.0	10.5	18.5	25.5	DYE 7115
	8.2	3.5	5.5	14	1.0	6	2.0	10.5	18.5	25.5	DYE 7020
	9.7	3.5	5.5	14	1.0	6	2.0	10.5	18.5	25.5	DYE 7021
	8.2	3.5	5.5	16	1.0	6	3.0	13.0	22	30.0	DYE 7116
10.2	3.5	5.5	16	1.0	6	3.0	13.0	22	30.0	DYE 7022	
8.2	3.5	5.5	18	1.0	6	3.0	12.0	21	30.0	DYE 7117	
10.2	3.5	5.5	18	1.0	6	3.0	12.0	21	30.0	DYE 7023	
12.7	3.5	5.5	18	1.0	6	3.0	12.0	21	30.0	DYE 7024	
10	4.2	4.3	6.3	10	1.0	8	2.0	7.0	17	22	DYE 7118
	5.2	4.3	6.3	10	1.0	8	2.0	7.0	17	22	DYE 7025
	4.2	4.3	6.3	10	1.0	8	3.0	4.0	15	20	DYE 7119





RING TYPE TINNED COPPER CABLE TERMINAL ENDS (NON INSULATED)

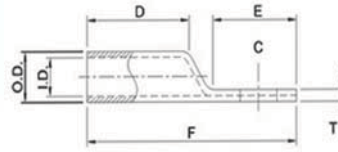


Specification : E.C. Grade 99.9% IACS

Cable mm ²	Stud Hole E	Dimensions									Product Code
		A	C	D	F	B	K	H	L1	J	
10	5.2	4.3	6.3	10	1.0	8	3	4	15	20	DYE 7026
	6.4	4.3	6.3	12	1.0	8	2	7	17	23	DYE 7120
	8.2	4.3	6.3	16	1.0	8	4	7	19	27	DYE 7121
	8.2	4.3	6.3	18	1.0	8	4	9	21	30	DYE 7122
	10.2	4.3	6.3	18	1.0	8	4	9	21	30	DYE 7027
	10.2	4.3	6.3	22	1.0	8	5	10	23	34	DYE 7123
	12.7	4.3	6.3	22	1.0	8	5	10	23	34	DYE 7028
16	5.2	5.6	8	10	1.2	10	3	6	19	24	DYE 7124
	5.2	5.6	8	12	1.2	10	4	6	20	26	DYE 7125
	6.4	5.6	8	12	1.2	10	4	6	20	26	DYE 7129
	6.4	5.6	8	16	1.2	10	4	8	22	30	DYE 7126
	8.2	5.6	8	16	1.2	10	4	8	22	30	DYE 7030
	9.7	5.6	8	16	1.2	10	4	8	22	30	DYE 7031
	8.2	5.6	8	18	1.2	10	4	10	24	33	DYE 7127
	10.2	5.6	8	18	1.2	10	4	10	24	33	DYE 7032
	10.2	5.6	8	22	1.2	10	6	8	24	35	DYE 7128
		12.7	5.6	8	22	1.2	10	6	8	24	35
25	6.4	7.5	11.1	12	1.8	11	4	10	25	31	DYE 7156
	8.2	7.5	11.1	12	1.8	11	4	10	25	31	DYE 7051
	6.4	7.5	11.1	16	1.8	11	5	6	22	30	DYE 7129
	8.2	7.5	11.1	16	1.8	11	5	6	22	30	DYE 7034
	10.2	7.5	11.1	16	1.8	11	5	6	22	30	DYE 7035
	6.4	7.5	11.1	16	1.8	11	4	10	25	33	DYE 7130
	8.2	7.5	11.1	16	1.8	11	4	10	25	33	DYE 7036
	10.2	7.5	11.1	18	1.8	11	5	9	25	34	DYE 7131
	10.2	7.5	11.1	22	1.8	11	6	14	31	42	DYE 7132
		12.7	7.5	11.1	22	1.8	11	6	14	31	42
35	6.4	9	12.6	16	1.8	12	5	6	23	31	DYE 7133
	8.2	9	12.6	16	1.8	12	5	6	23	31	DYE 7038
	8.2	9	12.6	18	1.8	12	5	10	27	36	DYE 7134
	10.2	9	12.6	18	1.8	12	5	10	27	36	DYE 7039
	10.2	9	12.6	22	1.8	12	4	15	31	42	DYE 7135
	12.7	9	12.6	22	1.8	12	4	15	31	42	DYE 7040
50	8.2	10.5	14.1	18	1.8	16	6	12	34	43	DYE 7163
	10.2	10.5	14.1	18	1.8	16	6	12	34	43	DYE 7041
	10.2	10.5	14.1	22	1.8	16	7	9	32	43	DYE 7137
	10.2	10.5	14.1	24	1.8	16	6	14	36	48	DYE 7138
	12.7	10.5	14.1	24	1.8	16	6	14	36	48	DYE 7042
	16.2	10.5	14.1	32	1.8	16	7	15	38	54	DYE 7139
70	10.2	12	16	22	2	18	7	11	36	47	DYE 7140
	12.7	12	16	22	2	18	7	11	36	47	DYE 7043
	12.7	12	16	24	2	18	8	10	36	48	DYE 7141
	16.2	12	16	28	2	18	6	16	40	54	DYE 7142
95	10.2	13.5	18.1	22	2.3	20	5	10	35	46	DYE 7143
	10.2	13.5	18.1	24	2.3	20	6	12	38	50	DYE 7144
	12.7	13.5	18.1	24	2.3	20	6	12	38	50	DYE 7044
	16.2	13.5	18.1	28	2.3	20	7	17	44	58	DYE 7145
120	12.7	15	20.2	26	2.6	22	10	7	39	52	DYE 7146
	23.0	15	20.2	40	2.6	22	10	20	52	72	DYE 7148
150	12.7	16.5	23.7	34	3.6	24	8	16	49	66	DYE 7149
	16.2	16.5	23.7	34	3.6	24	9	16	49	66	DYE 7045
	16.2	16.5	23.7	40	3.6	24	10	20	54	74	DYE 7150
	20.3	16.5	23.7	40	3.6	24	10	20	54	74	DYE 7046



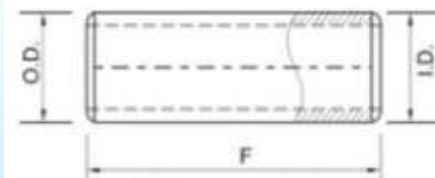
COPPER COMPRESSION LUGS - LONG BARREL



WIRE SIZE	BOLT SIZE	TANG WIDTH	Dimensions					O.D INCH.	I.D INCH.	Product Code
			C	D	E	F	T			
8	-	0.40625	0.25	0.81	0.59	1.52	0.40625	0.2812	0.1718	DYE-8L
6	0.25	0.40625	0.28125	1.125	0.5	1.8125	0.40625	0.2968	0.2031	DYE-6L
4	0.25	0.5	0.28125	1.125	0.5	1.8125	0.5	0.34375	0.25	DYE4L
4	0.3125	0.5	0.34375	1.125	0.5	1.8125	0.5	0.34375	0.25	DYE4L-516
3	0.25	0.53125	0.28125	1.125	0.5	1.8125	0.53125	0.375	0.2812	DYE-3L
2	0.3125	0.59375	0.34375	1.25	0.75	2.2188	0.59375	0.4218	0.3125	DYE-2L
1	0.25	0.59375	0.28125	1.25	0.75	2.2188	0.59375	0.4218	0.3125	DYE-2L-14
2	0.375	0.59375	0.40625	1.25	0.75	2.2188	0.59375	0.4218	0.3125	DYE-2L-38
1	0.3125	0.6875	0.34375	1.375	0.75	2.375	0.6875	0.46875	0.3593	DYE-1L
1/0	0.3125	0.75	0.34375	1.375	0.75	2.375	0.75	0.5156	0.5983	DYE-1/0L
2/0	0.375	0.8125	0.40625	1.50	0.875	2.656	0.8125	0.5625	0.4375	DYE-02/0L
3/0	0.5	0.90625	0.53125	1.50	1	2.90625	0.90625	0.6093	0.4843	DYE-03/0L
4/0	0.5	1	0.53125	1.625	1	2.96875	1	0.6875	0.53125	DYE-4/0L
250MCM	0.5	1.09375	0.53125	1.625	1.125	3.1875	1.09375	0.75	0.5625	DYE-250L
300MCM	0.5	1.1875	0.53125	2	1.125	3.5625	1.1875	0.8125	0.65625	DYE-300L
350MCM	0.5	1.28125	0.53125	2	1.125	3.5625	1.28125	0.875	0.6875	DYE-350L
400MCM	0.625	1.375	0.6875	2.125	1.5	4.25	1.375	15/16	0.75	DYE-400L
500MCM	0.625	1.53125	0.6875	2.25	1.5	4.375	1.53125	1.0625	0.82812	DYE-500L
600MCM	0.625	1.6875	0.6875	2.25	1.5	4.46875	1.6875	1.1875	0.9218	DYE-600L
750MCM	0.625	1.90625	0.65625	2.875	1.9375	5.46875	1.90625	1.3125	1.0312	DYE-750L
1000MCM	0.625	2.1875	0.65625	3	2.125	6	2.1875	1.50	1.1718	DYE-1000L

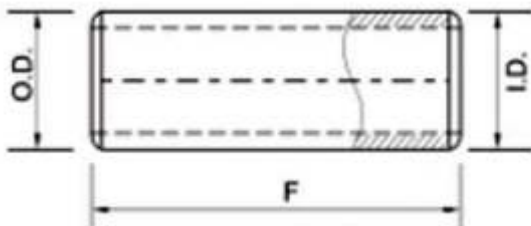
COPPER COMPRESSION SLEEVES - SHORT BARREL

WIRE SIZE	F	O.D INCH	I.D INCH	Product Code
8	1.125	0.281	0.172	DYE-8
6	1.75	0.297	0.203	DYE-6
4	1.875	0.344	0.25	DYE-4
3	1.75	0.375	0.281	DYE-3
2	1.875	0.422	0.313	DYE-2
1	1.875	0.469	0.359	DYE-1
1/0	1.875	0.516	0.391	DYE-1/0
2/0	2	0.563	0.428	DYE-2/0
3/0	2.125	0.609	0.484	DYE-3/0
4/0	2.125	0.688	0.547	DYE-4/0
300MCM	2.25	0.813	0.656	DYE-300
350MCM	2.375	0.875	0.688	DYE-350
400MCM	2.5	0.938	0.75	DYE-400
500MCM	2.875	1.063	0.828	DYE-500
600MCM	2.875	1.188	0.922	DYE-600



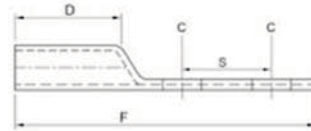


COPPER COMPRESSION SLEEVES - LONG BARREL



WIRE SIZE	F	O.D INCH	I.D INCH	Product Code
8	1.75	0.281	0.172	DYE-8
6	2.38	0.297	0.203	DYE-6
4	2.38	0.344	0.25	DYE-4
3	2.38	0.375	0.281	DYE-3
2	2.63	0.422	0.312	DYE-2
1	2.88	0.469	0.359	DYE-1
1/0	2.88	0.516	0.391	DYE1/0
2/0	3.13	0.562	0.438	DYE-2/0
3/0	3.13	0.609	0.484	DYE3/0
4/0	3.38	0.687	0.547	DYE-4/0
300MCM	4.13	0.813	0.656	DYE-300
400MCM	4.38	0.937	0.75	DYE-400
500MCM	4.63	1.063	0.828	DYE-500
600MCM	4.63	1.188	0.922	DYE-600

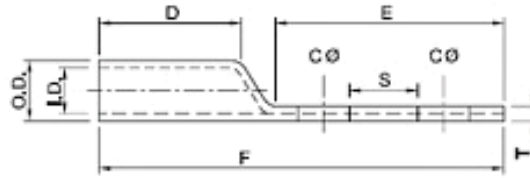
COPPER COMPRESSION SLEEVES - LONG BARREL, 2 HOLES



WIRE SIZE	BOLT SIZE	Dimensions					O.D INCH.	I.D INCH.	Product Code
		C 0 - S	D	E	F	T			
2	5/16(2)	0.34-0.75	1.25	1.5	3	0.594	0.422	0.1718	DYE-2L2
2	1/2(2)	0.53-1-0.75	1.25	3.125	4.81	0.594	0.422	0.2031	DYE-2L2
2	#10(2)	0.23-0.75	1.25	1.8125	3.31	0.594	0.422	0.25	DYE-2L2-10-34
2	1/4(2)	0.28-0.63	1.25	1.8125	3.31	0.594	0.422	0.25	DYE-2L2-14-58
2	1/4(2)	0.28-0.75	1.25	1.8125	3.31	0.594	0.422	0.2812	DYE-2L2-14-34
2	1/4(2)	0.28-1	1.25	1.8125	3.31	0.594	0.422	0.3125	DYE-2L2-14-1
2	5/16(2)	0.34-0.63	1.25	1.8125	3.31	0.594	0.422	0.3125	DYE-2L2-516-58
2	5/16(2)	0.34-0.75	1.25	1.8125	3.31	0.594	0.422	0.3125	DYE-2L2-516-34
2	5/16(2)	0.34-1	1.25	1.8125	3.31	0.594	0.422	0.3593	DYE-2L2-516-1
2	3/8(2)	0.41-0.63	1.25	1.8125	3.31	0.594	0.422	0.5983	DYE-2L2-35-58
2	3/8(2)	0.41-0.75	1.25	1.8125	3.31	0.594	0.422	0.4375	DYE-2L2-38-34
2	3/8(2)	0.41-0.88	1.25	1.8125	3.31	0.594	0.422	0.4843	DYE-2L2-28-78
2	3/8(2)	0.41-1	1.25	1.8125	3.31	0.594	0.422	0.53125	DYE-2L2-38-1
2	4-1/2	0.56-1-0.75	1.25	3	4.5	0.8125	0.422	0.5625	DYE-2L2-12-134
1	3-7/16	0.34-0.88	1.38	1.6875	3.44	0.687	0.46	0.65625	DYE-1L2
1	3-7/16	0.28-0.63	1.38	1.6875	3.44	0.687	0.46	0.6875	DYE-1L2-14-58
1	4-3/4	0.56-1-0.75	1.38	3	4.75	0.687	0.46	0.75	DYE-1L2
1/0	5/16(2)	0.34-0.88	1.38	1.6875	3.44	0.75	0.516	0.82812	DYE-1/0L2
1/0	1/2(2)	0.56-1-0.75	1.38	3	4.91	0.75	0.516	0.9218	DYE-1/0L2
8	5/16(2)	10-0.625	0.81	1.26	2.19	0.42	0.28125	1.0312	DYE-8L2
8	1/2(2)	0.25-0.625	0.81	1.26	2.19	0.42	0.28125	1.1718	DYE-8L2



COPPER COMPRESSION LUGS - LONG BARREL, 2 HOLES

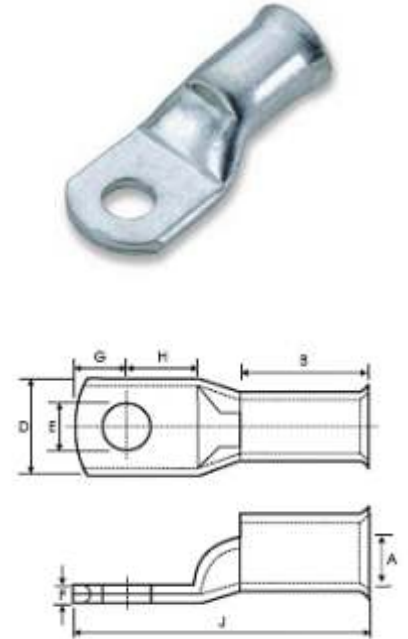


WIRE SIZE	BOLT SIZE	Dimensions					O.D INCH.	I.D INCH.	Product Code
		C	D	E	F	T			
6	1/4(2)	0.281-0.625	1.125	1.5	2.8125	0.40625	0.297	0.2031	DYE-6L2
6	#10(2)	0.234-0.75	1.125	1.8125	3.1875	0.40625	0.297	0.2031	DYE-6L2-10-34
6	1/4(2)	0.281-0.625	1.125	1.8125	3.1875	0.40625	0.297	0.2031	DYE-6L2-14-58
6	1/4(2)	0.281-0.625	1.125	1.8125	3.1875	0.40625	0.297	0.2031	DYE-6L2-14-34
6	1/4(2)	0.281-1	1.125	1.8125	3.1875	0.40625	0.297	0.2031	DYE-6L2-14-1
6	5/16(2)	0.344-1	1.125	1.8125	3.1875	0.59375	0.297	0.2031	DYE-6L2-516-1
6	3/8(2)	0.406-0.75	1.125	1.8125	3.1875	0.59375	0.297	0.2031	DYE-6L2-38-34
6	3/8(2)	0.406-0.875	1.125	1.8125	3.1875	0.59375	0.297	0.2031	DYE-6L2-38-78
6	3/8(2)	0.406-1	1.125	1.8125	3.1875	0.59375	0.297	0.2031	DYE-6L2-38-1
4	1/4(2)	0.281-0.625	1.125	1.5	2.8125	0.5	0.344	0.25	DYE-4L2
4	1/2(2)	0.563-1-0.75	1.125	3.125	4.875	0.8125	0.344	0.25	DYE-4L2
4	#10(2)	0.234-0.75	1.125	1.8125	3.1875	0.5	0.344	0.25	DYE-4L2-10-34
4	1/4(2)	0.281-0.625	1.125	1.8125	3.1875	0.5	0.344	0.25	DYE-4L2-14-58
4	1/4(2)	0.281-0.75	1.125	1.8125	3.1875	0.5	0.344	0.25	DYE4L2-14-34
4	1/4(2)	0.281-1	1.125	1.8125	3.1875	0.5	0.344	0.25	DYE-4L2-14-1
4	5/16(2)	0.344-0.625	1.125	1.8125	3.1875	0.5	0.344	0.25	DYE-4L2-516-58
4	5/16(2)	0.344-0.75	1.125	1.8125	3.1875	0.5	0.344	0.25	DYE-472-516-34
4	5/16(2)	0.344-1	1.125	1.8125	3.1875	0.5	0.344	0.25	DYE-4L2-516-1
4	3/8(2)	0.406-0.75	1.125	1.8125	3.1875	0.8125	0.344	0.25	DYE-4L2-38-34
4	3/8(2)	0.406-1	1.125	1.8125	3.1875	0.8125	0.344	0.25	DYE-4L2-38-1
4	1/2(2)	0.562-1-0.75	1.125	3	4.375	0.8125	0.344	0.25	DYE-4L2-12-134
3	1/4(2)	0.281-0.625	1.125	1.5	2.8125	0.53125	0.375	0.2812	DYE-3L2
3	3/8(2)	0.406-0.6	1.125	1.5	2.8125	0.53125	0.375	0.2812	DYE-3L2
2/0	1/2(2)	0.56-1-0.75	1.5	3	4.78	0.8125	0.562	0.438	DYE-2/0L2
3/0	1/2(2)	0.56-1-0.75	1.5	3	4.97	0.9062	0.609	0.484	DYE-3/0L2
4/0	1/2(2)	0.56-1-0.75	1.63	3	4.97	1	0.688	0.547	DYE-4/0L2
50MCM	1/2(2)	0.56-1-0.75	1.63	3	5.06	1.0937	0.75	0.563	DYE-250L2
250MCM	3/8(2)	0.56-1	1.63	3	5.06	1.0937	0.75	0.563	DYE-250L2-38-1
1250MCM	3/8(2)	0.56-1-0.75	1.63	3	5.06	1.0937	0.75	0.563	DYE-250L2-38-134
300MCM	1/2(2)	0.56-1-0.75	2	3	5.44	1.1875	0.813	0.656	DYE-300L2
350MCM	1/2(2)	0.56-1-0.75	2	3	5.44	1.2812	0.875	0.688	DYE-350L2
4G0MCM	1/2(2)	0.56-1-0.75	2.13	3	5.75	1.375	0.938	0.75	DYE-400L2
500MCM	1/2(2)	0.56-1-0.75	2.25 -	3	5.75	1.531	1.063	0.828	DYE-500L2
600MCM	1/2(2)	0.56-1-0.75	2.25	3	6.06	1.688	1.188	0.922	DYE-600L2
700MCM	1/2(2)	0.56-1-0.75	2.25	3	6.06	1.781	1.25	0.984	DYE-700L2
750MCM	1/2(2)	0.56-1-075	2.88	3	6.53	1.906	1.313	1.031	DYE-750L2
1000MC	1/2(2)	0.56-1-0.75	3	3	6.88	2.188	1.5	1.172	DYE-1000L2



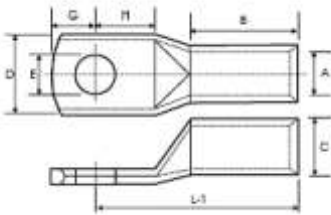
CABLE TERMINAL ENDS AS YER AUSTRALIAN STANDARD

Cable mm ²	Stud Hole E	Dimensions							Product Code
		A	D	F	B	G	H	J	
1.5-4	4.2	2	8	1.0	7.5	4	5	18.5	DEHT-1.5-4
1.5-5	5.2	2	8	1.0	7.5	4	5	18.5	DEHT-1.5-5
1.5-6	6.5	2	10	0.8	7.5	4	6	19.5	DEHT-1.5-6
2.5-4	4.2	2.5	8	1.0	8	4	5	19	DEHT-2.5-4
2.5-5	5.2	2.5	10	0.8	8	5	6	20	DEHT-2.5-5
2.5-6	6.5	2.5	10	0.8	8	5	6	20	DEHT-2.5-6
2.5-8	8.4	2.5	11	0.7	8	6	9	26	DEHT-2.5-7
4-5	5.2	3.3	10	1.0	9	5	6	22	DEHT-4-5
4-6	6.5	3.3	10	1.0	9	5	6	22	DEHT-4-6
4-8	8.4	3.3	12	0.8	9	6	9	26	DEHT-4-8
4-10	10.2	3.3	15	0.8	9	8	11	32	DEHT-4-10
6-5	5.2	3.8	10	1.2	10	5	6	23	DEHT-6-5
6-6	6.5	3.8	12	1.0	10	6	9	27	DEHT-6-6
6-8	8.4	3.8	12	1.0	10	6	9	27	DEHT-6-8
6-10	10.2	3.8	15	0.8	10	8	11	32	DEHT-6-10
10-5	5.2	4.7	12	1.8	10	6	7	27	DEHT-10-5
10-6	6.5	4.7	12	1.8	10	6	7	27	DEHT-10-6
10-8	8.4	4.7	14	1.6	10	7	8	29	DEHT-10-8
10-10	10.5	4.7	15	1.5	10	8	10	32	DEHT-10-10
10-12	13	4.7	18	1.0	10	10	12	38	DEHT-10-12
16-6	6.5	5.5	11	2.4	19	7*	9	39	DEHT-16-6
16-8	8.4	5.5	14	1.7	19	7	9	39	DEHT-16-8
16-10	10.5	5.5	16	1.5	19	8	10	41	DEHT-16-10
16-12	13	5.5	18	1.2	19	10	13	46	DEHT-16-12
25-6	6.5	7.1	13.5	2.4	21	7	9	41	DEHT-25-6
25-8	8.4	7.1	13.5	2.4	21	7	9	41	DEHT-25-8
25-10	10.5	7.1	16	1.9	21	9	10	44	DEHT-25-10
25-12	13	7.1	18	1.6	21	10	13	48	DEHT-25-12
35-6	6.5	8.4	16	3.0	21	9	10	45	DEHT-35-6
35-8	8.4	8.4	16	3.0	21	9	10	45	DEHT-35-8
35-10	10.5	8.4	18	2.6	21	9	10	45	DEHT-35-10
35-12	13	8.4	20	2.2	22	11	13	51	DEHT-35-12
50-6	6.5	9.5	18	3.3	22	8	10	46	DEHT-50-6
50-8	8.4	9.5	18	3.3	22	8	10	46	DEHT-50-8
50-10	10.5	9.5	18	3.3	22	8	10	52	DEHT-50-10
50-12	13	9.5	21	2.7	22	11	13	54	DEHT-50-12
70-6	6.5	11.3	21	3.5	22	11	13	54	DEHT-70-6
70-8	8.4	11.3	21	3.5	24	11	13	54	DEHT-70-8
70-10	10.5	11.3	21	3.5	24	11	13	54	DEHT-70-10
70-12	13	11.3	21	3.5	24	11	13	54	DEHT-70-12
70-16	17	11.3	26	3.0	24	14	60	61	DEHT-70-16
95-8	8.4	13.5	25	4.0	27	12	14	60	DEHT-95-8
95-10	10.5	13.5	25	4.0	27	12	14	60	DEHT-95-10
95-12	13	13.5	25	4.0	27	12	14	60	DEHT-95-12
95-16	17	13.5	25	3.5	27	14	16	61	DEHT-95-16
120-8	8.4	15.6	30	5.0	30	12	14	64	DEHT-120-8
120-10	10.5	15.6	30	5.0	30	12	14	64	DEHT-120-10
120-12	13	15.6	30	5.0	30	12	14	64	DEHT-120-12
120-16	17	15.6	30	5.0	30	16	16	72	DEHT-120-16





TUBULAR COMPRESSION CABLE LUGS (AS PER DIN 46235)



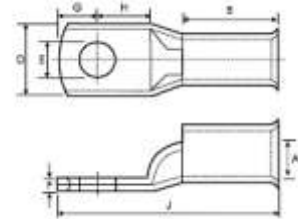
Cable mm ²	Stud Hole E	Dimensions							Product Code
		D	A	B	C	G	H	L-1	
6	5.3	8.5	3.8	10	5.5	6.5	7.5	24	DYETD6 - 5
10	6.5	8.5	4.5	10	6	7	8.5	27.5	DYETD10 - 6
16	6.5	12	5.5	20	8.5	7.5	8	35	DYETD 16-6
	8.4	12	5.5	20	8.5	10	10	35	DYETD 16-8
	10.5	17	5.5	20	8.5	12	12	37	DYETD 16-10
25	13	19	5.5	20	8.5	13	13	37	DYETD 16-12
	6.5	15	7	20	10	7.5	8	39	DYETD 25-6
	8.4	15	7	20	10	10	10	39	DYETD 25-8
	10.5	17	7	20	10	12	12	39	DYETD 25-10
35	13	19	7	20	10	13	13	39	DYETD 25-12
	8.4	17	8.2	20	12.5	7.5	8	42	DYETD 35-8
	10.5	19	8.2	20	12.5	10	10	42	DYETD 35-10
	13	21	8.2	20	12.5	12	12	42	DYETD 35-12
50	8.4	22	10	28	14.5	10	10	51	DYETD 50-8
	10.5	22	10	28	14.5	12	12	51	DYETD 50-10
	13	23	10	28	14.5	13	13	51	DYETD 50-12
	17	28	10	28	14.5	14.5	14.5	51	DYETD 50-16
70	10.5	24	11.5	28	16.5	10	10	54	DYETD 70-10
	13	24	11.5	28	16.5	12	12	54	DYETD 70-12
	17	32	11.5	28	16.5	13	13	54	DYETD 70-16
	21	32	11.5	28	16.5	14.5	14.5	54	DYETD 70-20
95	10.5	28	13.5	35	19	12	12	64	DYETD 95-10
	13	28	13.5	35	19	12	12	64	DYETD 95-12
	17	32	13.5	35	19	13	13	67	DYETD 95-16
	21	34	13.5	35	19	14.5	14.5	67	DYETD 95-20
120	10.5	32	15.5	35	21	15	16	68	DYETD 120-10
	13	32	15.5	35	21	16	17	68	DYETD 120-12
	17	32	15.5	35	21	18	19	69	DYETD 120-16
	21	38	15.5	35	21	19	20	69	DYETD 120-20
150	10.5	34	17	35	23.5	15	16	77	DYETD 150-10
	13	34	17	35	23.5	16	17	77	DYETD 150-12
	17	34	17	35	23.5	19	20	77	DYETD 150-16
	21	40	17	35	23.5	19	20	77	DYETD 150-20
185	10.5	37	19	40	25.5	15	16	81	DYETD 185-10
	13	37	19	40	25.5	16	17	81	DYETD 185-12
	17	37	19	40	25.5	19	20	81	DYETD 185-16
	21	40	19	40	25.5	19	20	81	DYETD 185-20
240	10.5	42	21.5	40	29	16	17	91	DYETD 240-10
	13	42	21.5	40	29	19	20	91	DYETD 240-12
	17	42	21.5	40	29	19	20	91	DYETD 240-16
	21	46	21.5	40	29	21	22	91	DYETD 240-20
300	13	48	24	50	32	19	22	100	DYETD 300-12
	17	48	24	50	32	19	22	100	DYETD 300-16
	21	48	24	50	32	22	22	100	DYETD 300-20
400	17	55	27.5	70	38.5	25	25	115	DYETD 400-16
	21	55	27.5	70	38.5	25	25	115	DYETD 400-20
500	21	60	31	70	42	25	25	127	DYETD 500-20
630	21	60	34.5	80	44	25	25	135	DYETD 630-20
800	21	70	40	100	52	30	30	185	DYETD 800-20
1000	21	80	44	100	58	30	30	165	DYETD 1000-20



CABLE TERMINAL ENDS AS YER AUSTRALIAN STANDARD

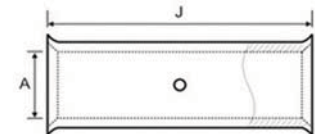
MATERIAL : E-COPPER • FINISH : ELECTRO TINNED

Cable mm ²	Stud Hole E	Dimensions							Product Code
		A	D	F	B	G	H	J	
150-10	10.5	16.7	32	5.8	30	16	16	71	DYEHT - 150-10
150-12	13	16.7	32	5.8	32	18	18	75	DYEHT - 150-12
150-16	17	16.7	32	5.8	30	18	18	75	DYEHT - 150-12
185-10	18.4	10.5	36	5.8	32	16	16	74	DYEHT - 185-10
185-12	13	18.5	36	5.8	32	18	18	79	DYEHT - 185-12
185-16	17	18.4	36	5.8	32	18	18	79	DYEHT - 185-16
240 - BL	--	21.2	41	7.0	38	21	21	92	DYEHT - 240-BL
240-10	10.5	21.2	41	7.0	38	21	21	92	DYEHT - 240-10
240-12	13	21.2	41	7.0	38	21	21	92	DYEHT - 240-12
240-16	17	21.2	41	7.0	38	21	21	92	DYEHT - 300-BL
300 - BL	--	23.8	46	7.8	42	23	23	101	DYEHT - 300-BL
300-12	13	23.8	46	7.8	42	23	23	101	DYEHT - 300 -12
300-16	17	23.8	46	7.8	42	23	23	101	DYEHT - 300 -16
400 - BL	--	26.8	50	8.0	44	24	24	107	DYEHT - 400 - BL
500 - BL	--	30.0	56	9.0	50	27	27	119	DYEHT - 500 -BL
630 - BL	--	34.0	64.4	11.0	58	32	32	139	DYEHT - 630 - BL



CONNECTOR AS YER AUSTRALIAN STANDARD

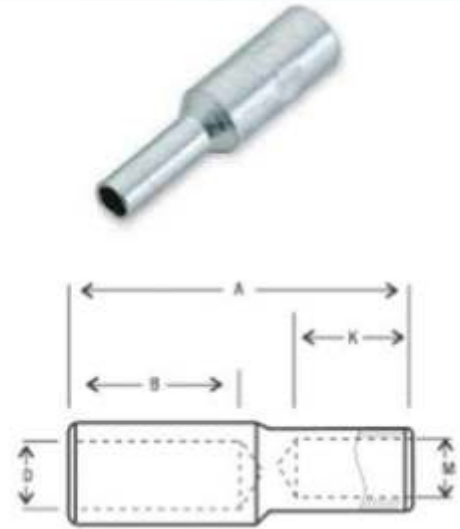
Cable mm ²	Dimensions	
	A	J
DYEYC - 2.5	2.50	22.2
DYEYC - 4	3.30	22.2
DYEYC 16	3.70	22.2
DYEYC - 10	4.70	22.2
DYEYC - 16	5.50	44.4
DYEYC - 25	7.10	47.6
DYEYC - 35	8.40	47.6
DYEYC - 50	9.500	47.6
DYEYC - 70	11.00	50.8
DYEYC - 95	13.40	54.0
DYEYC - 120	15.50	65.1
DYEYC - 150	16.30	65.1
DYEYC - 185	18.40	65.1
DYEYC - 240	21.20	88.9
DYEYC - 300	23.80	88.9
DYEYC - 400	26.80	88.9
DYEYC - 500	30.00	114.3
DYEYC - 630	33.50	114.3





TINNED COPPER REDUCING LINKS

Cable mm ²	Dimensions					Product Code
	A	B	D	K	M	
6	30	10	4	10	3.0	DYERL - 6 - 4
10	30	10	4.5	10	4.0	DYERL - 10 - 6
16	40	19	5.5	10	4.0	DYERL 16 - 5
	40	19	5.5	10	4.5	DYERL - 16 - 10
25	40	21	7.5	10	4.0	DYERL - 25 - 6
	40	21	7.5	10	4.5	DYERL - 25 - 10
	50	21	7.5	19	5.5	DYERL - 25 - 16
35	40	21	8.5	10	4.5	DYERL - 35 - 25
	55	21	8.5	19	5.5	DYERL - 35 - 16
	60	21	8.5	21	7.5	DYERL - 35 - 25
50	45	22	9.5	10	4.5	DYERL - 50 - 10
	55	22	9.5	19	5.5	DYERL - 50 - 16
	55	22	9.5	21	7.5	DYERL - 50 - 25
	60	22	9.5	21	8.5	DYERL - 50 - 35
70	60	24	11.5	19	5.5	DYERL - 70 - 16
	60	24	11.5	21	7.5	DYERL - 70 - 35
	65	24	11.5	21	8.5	DYERL - 70 - 35
	65	24	11.5	22	9.5	DYERL - 70 - 50
95	65	27	13.5	21	7.5	DYERL - 95 - 25
	65	27	13.5	21	8.5	DYERL - 95 - 25
	70	27	13.5	22	9.6	DYERL - 95 - 50
	70	27	13.5	24	11.5	DYERL - 95 - 70
120	70	30	15.5	21	8.5	DYERL - 120 - 35
	70	30	15.5	22	9.5	DYERL - 120 - 50
	75	30	15.5	24	11.5	DYERL - 120 - 70
	75	30	15.5	27	13.5	DYERL - 120 - 95
150	70	30	16.5	22	9.5	DYERL - 150 - 50
	75	30	16.5	24	11.5	DYERL - 150 - 70
	80	30	16.5	27	13.5	DYERL - 150 - 95
	80	30	16.5	30	15.5	DYERL - 150 - 120
185	75	32	18.5	24	11.5	DYERL - 185 - 70
	80	32	18.5	27	13.5	DYERL - 185 - 95
	85	32	18.5	30	15.5	DYERL - 185 - 120
	85	32	18.5	30	16.5	DYERL - 185 - 150
240	85	38	21.5	27	13.5	DYERL - 240 - 95
	90	38	21.5	30	15.5	DYERL - 240 - 120
	90	38	21.5	30	16.5	DYERL - 240 - 150
	95	38	21.5	32	18.5	DYERL - 240 - 185
300	95	42	23.5	30	15.5	DYERL - 300 - 120
	95	42	23.5	30	16.5	DYERL - 300 - 150
	100	42	23.5	32	18.5	DYERL - 300 - 185
	105	42	23.5	38	21.5	DYERL - 300 - 240
400	110	55	26.5	30	16.5	DYERL - 400 - 150
	110	55	26.5	32	18.5	DYERL - 400 - 185
	125	55	26.5	38	21.5	DYERL - 400 - 240
	125	55	26.5	30	23.5	DYERL - 400 - 300
500	115	55	30	32	18.5	DYERL - 500 - 185
	120	55	30	38	21.5	DYERL - 500 - 240
	125	55	30	42	23.5	DYERL - 500 - 300
	140	55	30	55	26.5	DYERL - 500 - 400

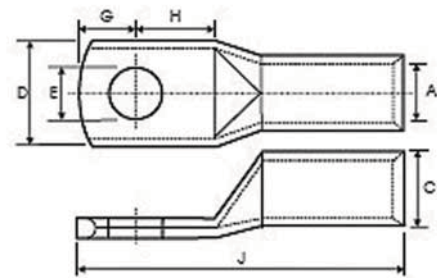




HIGH VOLTAGE COPPER TERMINALS

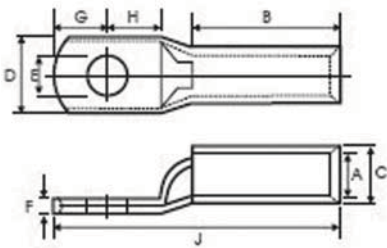
These terminals are designed for high voltage applications upto 33kv. They are manufactured from high purity copper tube, annealed & tin plated. The extended barrel enhances both electrical and mechanical performance. The absence of an inspection hole to prevent moisture entry into the crimped joint makes these terminals suitable for outdoor applications.

Cable mm ²	Stud Hole E	Dimensions						Product Code
		A	C	D	G	H	J	
25	8	6.8	10.0	14.0	8.0	9.0	65.0	DYCT 25 - 8
	10	6.8	10.0	18.0	11.0	13.0	72.0	DYCT 25 - 10
	12	6.8	10.0	21.0	14.0	16.0	78.0	DYCT 25 - 12
35	12	8.2	12.5	21.0	14.0	16.0	79.0	DYCT 35 - 12
	16	8.2	12.5	26.0	17.0	19.0	85.0	DYCT 35 - 16
50	12	9.5	14.5	21.0	14.0	16.0	79.0	DYCT 50 - 12
	16	9.5	14.5	26.0	17.0	19.0	85.0	DYCT 50 - 16
70	12	11.0	16.0	28.0	14.0	16.0	81.0	DYCT 70 - 12
	16	11.0	16.0	30.0	17.0	19.0	87.0	DYCT 70 - 16
95	12	13.5	19.0	28.0	14.0	16.0	91.0	DYCT 95 - 12
	14	13.5	19.0	29.0	16.0	18.0	95.0	DYCT 95 - 14
	16	13.5	19.0	30.0	17.0	20.0	97.0	DYCT 95 - 16
120	12	15.0	20.5	31.0	14.0	16.0	97.0	DYCT 120 - 12
	14	15.0	20.5	31.0	16.0	18.0	101.0	DYCT 120 - 14
150	12	16.5	23.0	32.0	14.0	16.0	97.0	DYCT 150 - 12
	14	16.5	23.0	32.0	16.0	18.0	101.0	DYCT 150 - 14
185	14	17.0	23.5	32.5	16.0	18.0	101.0	DYCT 185 - 14
240	14	19.2	25.5	44.0	16.0	18.0	105.0	DYCT 240 - 14
300	14	23.5	32.0	43.0	16.0	18.0	105.0	DYCT 300 - 14
400	14	27.0	38.0	51.0	15.0	22.0	140.0	DYCT 400 - 14
	16	27.0	38.0	51.0	19.0	22.0	140.0	DYCT 400 - 16
	20	27.0	38.0	51.0	23.0	24.0	146.0	DYCT 400 - 20
500	16	30.3	41.0	56.5	19.0	22.0	147.0	DYCT 500 - 16
	20	30.3	41.0	56.5	23.0	24.0	153.0	DYCT 500 - 20
630	16	33.4	43.0	61.5	19.0	22.0	159.0	DYCT 630 - 16
	20	33.4	43.0	61.5	23.0	24.0	165.0	DYCT 630 - 20



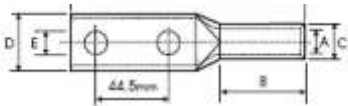


LONG BARREL TINNED COPPER TINNED CABLE TERMINAL ENDS



Cable mm ²	Stud Hole E	Dimensions								Product Code
		A	C	D	F	G	H	B	J	
6	8.4	3.8	5.5	12	1	6	9	11	29	DYEL 6 - 8
10	8.4	4.5	6.2	12	1.2	6	9	11	29	DYEL 10 - 8
16	8.4	5.4	7.1	12	1.4	7	7	15	35	DYEL 16 - 8
25	8.4	6.8	8.8	16	2	7	7	15	35	DYEL 25 - 8
35	8.4	8.2	10.6	15.3	2.4	9	9	15	38	DYEL 35 - 8
50	13	9.5	12.4	18	2.9	10	11	20	47	DYEL 50 - 12
70	13	11.2	14.7	21	3.5	12	13	22	54	DYEL 70 - 12
95	13	13.5	17.4	25	3.9	13	13	24	59	DYEL 95 - 12
120	13	15	19.4	28	4.4	14	14	27	65	DYEL 120 - 12
150	13	16.5	21.2	30	4.7	16	16	32	75	DYEL 150 - 12
185	13	18.5	23.5	34	5	17	17	39	85	DYEL 185 - 12
240	17	21	26.5	38	5.5	20	20	46	100	DYEL 240 - 16
300	21	23.5	30	43	6.5	22	22	51	110	DYEL 300 - 20
400	21	28.5	36.5	50.1	8	26	26	53	123	DYEL 400 - 20
500	21	30	39	56	9	28	28	58	134	DYEL 500 - 20

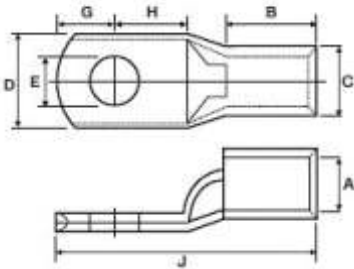
COPPER CABLE TERMINAL ENDS WITH EXTENDED PALM (2 HOLE)



Cable mm ²	Stud Hole E	Dimensions					Product Code
		A	C	D	B	J	
16	10.5	5.4	7.6	14.5	16	100	DYE162E10
25	10.5	6.8	8.8	15	16	100	DYE25 2E 10
35	10.5	8.2	10.6	16.5	16	100	DYE35 2E 10
50	10.5	9.5	12.4	17	25	109	DYE50 2E 10
	13	9.5	12.4	17	25	109	DYE502E 12
70	10.5	11.3	14.7	21	30	114	DYE 702E10
	13	11.3	14.7	21	30	114	DYE70 2E12
95	10.5	13.5	17.4	25	30	116	DYE95 2E 10
	13	13.5	17.4	25	30	116	DYE95 2E 12
120	10.5	15	19.4	27.5	35	122	DYE120 2E 10
	13	15	19.4	27.5	35	122	DYE120 2E 12
150	10.5	16.5	21.2	30	40	126	DYE150 2E 10
	13	16.5	21.2	30	40	126	DYE150 2E 12
185	10.5	18.5	23.5	33.5	42	132	DYE185 2E 10
	13	18.5	23.5	33.5	42	132	DYE185 2E 12
240	10.5	21	26.5	38.5	50	143	DYE240 2E 10
	13	21	26.5	38.5	50	143	DYE240 2E 12
300	13.7	23.5	30	43	55	144	DYE300 2E 10
400	13.7	28.5	36.5	52.5	60	149	DYE400 2E 10
500	13.7	30	39	56	65	160	DYE500 2E 10
630	13.7	35	45	56	75	160	DYE620 2E 10

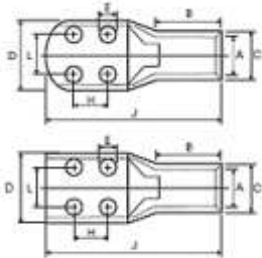


BELL MOUTH COPPER TERMINAL ENDS



Cable mm ²	Stud Hole E	Dimensions									Product Code
		A	C	D	F	G	H	K	B	J	
150	8.4	16.5	21.2	30	4.7	16	16	11	27	70	DYET-150-8
	10.5	16.5	21.2	30	4.7	16	16	11	27	70	DYET-150-10
	13	10.5	21.2	30	4.7	16	16	11	27	70	DYET-150-12
	14.7	16.5	21.2	30	4.7	16	16	11	27	70	DYET-150-14
	17	16.5	21.2	30	4.7	16	16	11	27	70	DYET-150-16
	21	16.5	21.2	30	4.7	16	16	12	27	73	DYET-150-20
185	10.5	18.5	23.5	34	5	17	19	12	32	80	DYET-185-10
	13	18.5	23.5	34	5	17	19	12	32	80	DYET-185-12
	14.7	18.5	23.5	34	5	17	19	12	32	80	DYET-185-14
	17	18.5	23.5	34	5	17	19	12	32	80	DYET-185-16
	21	18.5	23.5	34	5	17	19	12	32	80	DYET-185-20
240	10.5	21	26.5	38	5.5	20	21	14	39	94	DYET-240-1G
	13	21	26.5	38	5.5	20	21	14	39	94	DYET-240-12
	14.5	21	26.5	38	5.5	20	21	14	39	94	DYET-240-14
	17	21	26.5	38	5.5	20	21	14	39	94	DYET-240-16
	21	21	26.5	38	5.5	20	21	14	39	94	DYET-240-20

FOUR HOLE CABLE TERMINAL ENDS



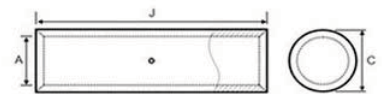
Cable mm ²	Stud Hole E	Dimensions							Product Code
		A	C	D	B	L	H	J	
300	8.5	23.5	30	56	42	35	25	101	DYE 3004E8
	10.5	23.5	30	56	42	35	25	101	DYE 3004S10
400	8.5	28.5	36.5	56	44	35	25	114	DYE 4004E8
	10.5	28.5	36.5	56	44	35	25	114	DYE 4004E10
500	8.5	30	39	56	48	35	25	124	DYE 5004E8
	10.5	30	39	56	48	35	25	124	DYE 5004E10
630	8.5	35	45	65	56	35	25	144	DYE 6304E8
	10.5	35	45	65	56	35	25	144	DYE6304E10
800	8.5	35	45	63.8	58	35	25	148	DYE 8004E8
	8.5	35	45	36.8	58	35	25	18	DYE 8004E10
1000	10.5	43	56.2	78.5	90	35	25	250	DYE 10004E8
	10.5	43	56.2	78.5	90	35	25	250	DYE 10004E10



CRIMPING TYPE COPPER TUBULAR IN - LINE CONNECTORS

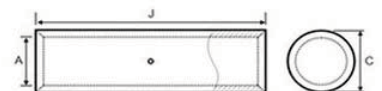
Long Barrel Connectors

Wire Size	Dimensions			Product Code
	A	C	J	
1.5	1.8	3.7	22	DYC 1.5
2.5	2.4	4	22	DYC 2.5
4	3.1	4.8	22	DYC 4
6	3.8	5.5	22	DYC 6
10	4.5	6.2	22	DYC 10
16	5.4	7.1	44	DYC 16
20	6.3	7.7	44	DYC 20
25	6.8	8.8	47	DYC 25
35	8.2	10.6	47	DYC 35
50	9.5	12.4	47	DYC 50
70	11.3	14.7	50	DYC 70
95	13.5	17.4	54	DYC 95
120	15	19.4	65	DYC 120
150	16.5	21.2	65	DYC 150
185	18.5	23.5	65	DYC 185
240	21	26.5	89	DYC 240
300	23.5	30	89	DYC 300
400	28.5	36.5	90	DYC 400
500	30	39	115	DYC 500
550	31.7	41.5	115	DYC 550
630	35	45	115	DYC 630
800	39	50.6	230	DYC 800
1000	43	56.2	230	DYC 1000



Short Barrel Connectors

Wire Size	Dimensions			Product Code
	A	C	J	
1.5	1.8	3.7	12	DYL 1.5
2.5	2.4	4	15	DYL 2.5
4	3.1	4.8	15	DYL 4
6	3.8	5.5	15	DYL 6
10	4.5	6.2	20	DYL 10
16	5.4	7.1	20	DYL 16
20	6.3	7.7	22	DYL 20
25	6.8	8.8	32	DYL 25
35	8.2	10.6	36	DYL 35
50	9.5	12.4	40	DYL 50
70	11.3	14.7	45	DYL 70
95	13.5	17.4	45	DYL 95
120	15	19.4	45	DYL 120
150	16.5	21.2	55	DYL 150
185	18.5	23.5	60	DYL 185
240	21	26.5	80	DYL 240
300	23.5	30	85	DYL 300
400	28.5	36.5	85	DYL 400
500	30	39	100	DYL 500
550	31.7	41.5	110	DYL 550
630	35	45	110	DYL 630
800	39	50.6	150	DYL 800
1000	43	56.2	170	DYL 1000

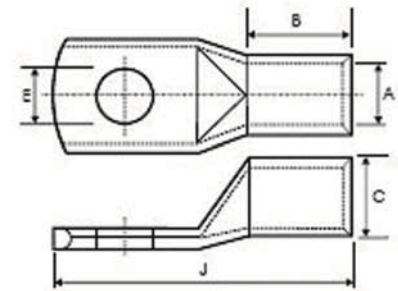




TINNED COPPER TUBULAR CABLE LUGS (WITHOUT INSPECTION HOLE)

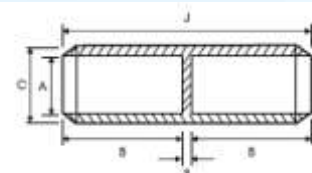
Cable mm ²	Stud Hole E	Dimensions					Product Code
		A	C	D	B	J	
120	8.5	15	19.4	28	24	65	DYEL - 120 - 8
	10.5	15	19.4	28	24	65	DYEL - 120 - 10
	13	15	19.4	28	24	65	DYEL - 120 - 12
	15	15	19.4	28	24	68	DYEL - 120 - 14
	17	15	19.4	28	24	68	DYEL - 120 - 16
	21	15	19.4	28	24	68	DYEL - 120 - 20
	8.5	16.5	21.2	30	30	69	DYEL - 120 - 8
150	10.5	16.5	21.2	30	30	69	DYEL - 150 - 10
	13	16.5	21.2	30	30	72	DYEL - 150 - 12
	15	16.5	21.2	30	30	72	DYEL - 150 - 14
	17	16.5	21.2	30	30	72	DYEL - 150 - 16
	21	16.5	21.2	30	30	72	DYEL - 150 - 20
	10.5	19	23.5	34	30	82	DYEL - 185 - 10
185	13	19	23.5	34	30	82	DYEL - 185 - 12
	15	19	23.5	34	30	82	DYEL - 185 - 14
	17	19	23.5	34	30	82	DYEL - 185 - 16
	21	19	23.5	34	30	89	DYEL - 185 - 20
	10.5	21	26.5	38	35	94	DYEL - 240 - 10
240	13	21	26.5	38	35	94	DYEL - 240 - 12
	15	21	26.5	38	35	94	DYEL - 240 - 14
	17	21	26.5	38	35	94	DYEL - 240 - 16
300	13	23.5	30	43	46	111	DYEL - 300 - 12
	15	23.5	30	43	46	111	DYEL - 300 - 14
	17	23.5	30	43	46	111	DYEL - 300 - 16
	21	23.5	30	43	46	111	DYEL - 300 - 20
	17	27	36.5	50	49	114	DYEL - 400 - 16
400	21	27	36.5	50	49	114	DYEL - 400 - 20
	17	30	39	56	58	134	DYEL - 500 - 16
500	21	30	39	56	58	134	DYEL - 500 - 20
	17	35	41.5	61	70	144	DYEL - 630 - 16
630	21	35	41.5	61	70	144	DYEL - 630 - 20
	10.5	35	41.5	61	70	144	DYEL-630-4-E10

Note : All dimensions in mm



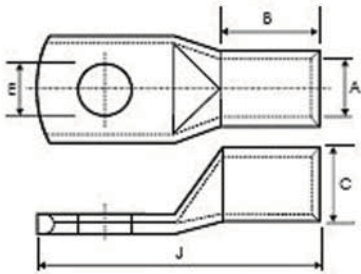
COPPER CONNECTIONS WITH SOLID BARRIER (For Similar Cable Cross Sectional area)

Cable mm ²	Dimensions					Product Code
	A	C	B	J	S	
16	5.5	7.5	22.5	47	2	DYS 16
25	7	10	22.5	47	2	DYS 25
35	8.2	11	22.5	47	2	DYS 35
50	9.5	13	25	53	3	DYS 50
70	11.5	15	25	53	3	DYS 70
95	13.5	17.5	25	53	3	DYS 95
120	15.5	20	30	63	3	DYS 120
150	17	22	35	73	3	DYS 150
185	19	24	40	84	4	DYS 185
240	21	26	43	90	4	DYS 240





TINNED COPPER TUBULAR CABLE LUGS (WITHOUT INSPECTION HOLE)



Cable mm ²	Stud Hole E	Dimensions								Product Code
		A	C	D	B	K	G	H	J	
2.5	5.3	2.4	4	10	8	3	5	6	22	DYEL-2.5-5
4	5.3	3.1	4.8	10	8	3	5	6	22	DYEL-4-5
6	5.3	3.8	5.5	10	9	3	5	6	23.5	DYEL-6-5
	6.5	3.8	5.5	10	9	3	6	5	23.5	DYEL-6-6
	8.5	3.8	5.5	12	9	3	7	8	28	DYEL-6-8
	10.5	3.8	6	14.5	9	3	8	14	33	DYEL-6-10
	13	3.8	6	17	9	3	12	13	36	DYEL-6-12
10	5.3	4.5	6.2	10	10	3	6	7	26	DYEL-10-5
	6.5	4.5	6.2	10.5	10	3	6	7	26.5	DYEL-10-6
	8.5	4.5	6.2	12	10	3	7	9	28	DYEL-10-8
	10.5	4.5	7	15	10	3	8	13	34	DYEL-10-10
	13	4.5	7	17	10	3	12	13	40	DYEL-10-12
16	5.3	5.4	7.1	10.5	13	4	6.5	7	31	DYEL-16-5
	6.5	5.4	7.1	10.5	13	4	6.5	7	31	DYEL-16-6
	8.5	5.4	7.1	12	13	4	7	9	32	DYEL-16-8
	10.5	5.5	7.6	15	13	4	8	13	38	DYEL-16-10
	13	5.5	7.6	17	13	4	12	13	42	DYEL-16-12
25	5.3	6.8	8.8	13	13	5	6.5	7	32	DYEL-25-5
	6.5	6.8	8.8	13	13	5	6.5	7	32	DYEL-25-6
	8.5	6.8	8.8	13	13	5	6	9	32	DYEL-25-8
	10.5	6.8	8.8	15	13	5	8	13	38	DYEL-25-10
	13	6.8	9.5	18	13	5	11	14	42	DYEL-25-12
35	15	6.8	9.5	21	13	5	13	14	45	DYEL-25-14
	6.5	8.2	10.6	15	15	7	7	9	37.5	DYEL-35-6
	8.5	8.2	10.6	15	15	7	9	11	42	DYEL-35-8
	10.5	8.2	10.6	15	16	8	9	15	48	DYEL-35-10
	13	8.2	10.6	17	15	8	14	14	53	DYEL-35-12
50	15	8.2	10.6	20	15	8	14	14	53	DYEL-35-12
	6.5	9.5	12.4	17.5	17	7	9	11	44	DYEL-50-6
	8.5	9.5	12.4	17.5	17	7	9	11	44	DYEL-50-8
	10.5	9.5	12.4	17.5	17	8	12	12	49	DYEL-50-10
	13	9.5	12.4	20.5	17	8	14.5	14	53	DYEL-50-12
70	15	9.5	12.4	23	17	8	14.5	15	54	DYEL-50-14
	6.5	11.2	14.7	21	21	7	10	10	48	DYEL-70-6
	8.5	11.2	14.7	21	21	7	10	10	48	DYEL-70-8
	10.5	11.2	14.7	21	21	8	12	12	51.5	DYEL-70-12
	13	11.2	14.7	21	21	8	13	13	55	DYEL-70-12
95	15	11.2	14.7	22	21	10	15	17	61	DYEL-70-14
	8.5	13.5	17.4	25	23	8	12	12	55	DYEL-95-8
	10.5	13.5	17.4	25	24	8	12	12	55	DYEL-95-10
	13	13.5	17.4	25	24	8	13	13	59	DYEL-95-12
	15	13.5	17.4	25	24	10	15	17	67	DYEL-95-14
21	17	13.5	17.4	26	24	10	16	16	67	DYEL-95-16
	21	13.5	17.4	28	24	10	16	17	68	DYEL-95-20



TINNED COPPER FLEXIBLE BRAIDS - CRIMPED with CONNECTORS / TERMINALS

MATERIAL : E-COPPER • FINISH ELECTRO TINNED

Cable mm ²	Dimensions			Current Rating AMP	Product Code Crimped with connector
	A	C	D		
4	50	6	6	50	DYEC4 - 50 - 50
	100	6	6	50	DYEC4 - 100 - 50
	150	6	6	50	DYEC4 - 150 - 50
	200	6	6	50	DYEC4 - 200 - 50
10	50	6	6	90	DYEC 10-50-90
	100	6	6	90	DYEC10 - 100 - 90
	150	6	6	90	DYEC10 - 150 - 90
	200	6	6	90	DYEC10 - 200 - 90
16	100	8.5	8.5	125	DYEC16 - 100 - 125
	150	8.5	8.5	125	DYEC16 - 150 - 125
	200	8.5	8.5	125	DYEC16 - 200 - 125
	250	8.5	8.5	125	DYEC16 - 250 - 125
	300	8.5	8.5	125	DYEC16 - 300 - 125
25	100	10	10	160	DYEC25 - 100 - 160
	150	10	10	160	DYEC25 - 150 - 160
	200	10	10	160	DYEC25 - 200 - 160
	250	10	10	160	DYEC 25 - 250 - 160
	300	10	10	160	DYEC25 - 300 - 160
30	100	10	10	180	DYEC30 - 100 - 180
	150	10	10	180	DYEC30 - 150 - 180
	200	10	10	180	DYEC30 - 200 - 180
	250	10	10	180	DYEC30 - 250 - 180
	300	10	10	180	DYEC30 - 300 - 180
35	100	10	10	210	DYEC35 - 100 - 210
	150	10	10	210	DYEC35 - 150 - 210
	200	10	10	210	DYEC35 - 200 - 210
	250	10	10	210	DYEC35 - 250 - 210
	300	10	10	210	DYEC35 - 300 - 210
50	100	12	12	250	DYEC50 - 100 - 250
	150	12	12	250	DYEC50 - 150 - 250
	200	12	12	250	DYEC50 - 200 - 250
	250	12	12	250	DYEC50 - 250 - 250
	300	12	12	250	DYEC50 - 300 - 250



Also available with other hole sizes, current rating, etc. as per customer specifications

INSULATED SCREW CONNECTORS

Body : PVC Connections : Brass Voltage : 240/415V Ampere : 32A

Insulated screw connectors accommodate a maximum of 2 x 6 mm² cables, and are made in one and two screw formats, the two screw being for the earth.

They have a clear plastic housing so that the termination can be visually checked
Nominal 32A rating, dependant on conductor loading

Rated for normal 240/415V applications

Connectors are supplied in handy screw top jars

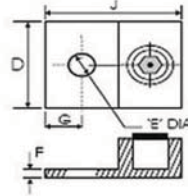
Supplied in handy screw top jars.

Catalogue No.	Description Conductor
YSCS1	Single Screw Connector 32A
YSCS2	Double Screw Connector 32A





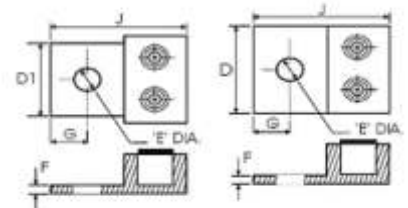
ALUMINIUM SINGLE BARREL CONNECTOR, ONE HOLE MOUNT



(All dimensions are in inches)

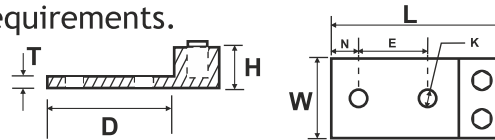
Fig. No.	Wire Range	Stud Hole	Dimensions							Recommended Tightening Torque In Lbs.	Product Code
			D	L	N	W	E	T	H		
1	14 STR -6STR.	1/4	0.63	1.06	0.25	0.50	—	0.09	0.50	45	DE6U
1	14 STR - 2 STR	1/4	0.63	1.16	0.31	0.50	—	0.10	0.55	50	DE2U
1	14 STR-1 /0STR	1/4	0.81	1.50	0.44	0.63	—	0.19	0.80	50	DE25U
1	6 STR -2/0 STR	1/4	0.81	1.47	0.47	0.63	—	0.19	0.80	120	DE26U
1	6 STR - 250	5/16	0.94	2.00	0.50	1.00	—	0.25	1.13	275	DI29U
1	6 STR - 300	5/16	0.94	2.00	0.50	1.00	—	0.25	1.12	275	DI30U
1	6 STR -350	3/8	1.03	2.25	0.88	1.13	—	0.25	1.25	375	DI31U
1	6 STR -500	3/8	1.50	2.81	0.88	1.51	—	0.31	1.58	500	DI34U
1	6 STR -600	3/8	1.72	3.19	0.78	1.50	—	0.44	1.56	500	DI36U
1	300 -800	1/2	1.69	3.38	0.88	1.75	—	0.50	1.94	500	DI40U
1	500 - 1000	1/2	1.69	3.38	0.88	1.75	—	0.50	1.94	600	DI44U
2	6 STR - 350	1/2	3.16	5.50	0.63	1.25	1.75	0.38	1.50	375	DI 31U-2N
2	2 STR - 600	1/2	3.22	4.69	0.63	1.50	1.75	0.44	1.57	500	DI 36U-2N
2	300 - 800	1/2	3.03	4.75	0.63	1.75	1.75	0.50	1.94	500	DI 40U-2N
2	500- 1000	1/2	3.03	4.75	0.63	1.75	1.75	0.50	1.94	600	DI 44U-2N
3	250 -600 STR	5/8	3.40	6.15	0.41	1.51	1.75	0.58	1.89	600	DI 600
3	300 - 800 STR	5/8	3.40	6.15	0.41	1.75	1.75	0.58	1.89	600	DI 800
3	350 TO 1000 STR	5/8	3.40	6.15	0.41	1.75	1.75	0.58	1.89	600	DI 1000
3	1500 - 800 MCM	5/8	3.11	6.57	0.70	1.99	1.75	0.75	1.99	600	DI 1500

ALUMINIUM DOUBLE BARREL CONNECTOR ONE HOLE MOUNT



TWO CONDUCTOR

- Made from 6061 T- 6 aluminum alloy
- Dual rated for both copper and aluminum conductors and electro-tin plated to provide low contact resistance and protection against corrosion.
- Assembly can be made with only a screw driver or alien wrench and they are re-usable
- NEMA Drilling 1 3/4" centres
- Rated 600V 194 F (90° C)
- Screws will be available as per requirements.



(All dimensions are in inches)

Fig. No.	Wire Range	Stud Hole	Dimensions							Recommended Tightening Torque In Lbs.	Product Code
			D	L	N	W	E	T	H		
1	Two: 14 STR-1/0 STR	1/4	0.81	1.47	0.44	1.13		0.19	0.79	50	DI 2A25U
1	Two: 14 STR-2/0 STR	1/4	0.81	1.47	0.44	1.25		0.19	0.79	50	DI 2A26U
1	Two: 6 STR-250	3/8	1.50	2.56	0.50	1.66		0.25	1.2	275	DI 2A29U
1	Two: 4 STR - 350	1/2	1.69	2.88	0.88	1.94		0.25	1.25	275	DI 2A31U
1	Two: 2 STR - 600	1/2	1.75	3.20	0.63	2.41		0.44	1.58	375	DI 2A36U
1	Two: 300 - 800	5/8	1.66	3.38	0.88	3.19		0.50	1.94	375	DI 2A40U
1	Two: 500- 1000	5/8	1.66	3.50	0.88	3.52		0.50	1.94	375	DI 2A44U
2	Two : 6 STR. - 350	1/2	3.00	4.50	0.63	2.31	1.75	0.31	1.38	275	DI 2A31U.2N
2	Two : 2 STR. - 600	1/2	3.22	4.69	0.63	2.41	1.75	0.44	1.56	375	DI 2A36U.2N
2	Two : 300 - 800	1/2	3.03	4.75	0.63	3.19	1.75	0.50	1.94	375	DI 2A40U.2N
2	Two : 500 - 1000	1/2	3.03	4.75	0.63	3.19	1.75	0.50	1.94	375	DI 2A44U.2N



DIVYA DUAL-RATED MECHANICAL CONNECTORS

TYPE ADR — ALCUL™ Two-Conductor, Two-Hole Mount*

FOR ALUMINIUM AND COPPER CONDUCTORS

- Dual-rated panel board lugs are constructed from high strength extruded aluminum alloy and electro-tin plated to provide low contact resistance Panel board lugs-2,3 & 4 conductors
- Made from 6061 T- 6 aluminum alloy



(All dimensions are in inches)

Fig. No.	Wire Range	Stud Hole	Dimensions							Recommended Tightening Torque In Lbs.	Product Code
			D	L	N	W	E	T	H		
1	Two: 6 STR.-300	5/16	0.94	3	0.47	1	0	0.31	2	275	DI 11A30U
2	Two: 4/0 STR.-500	1/4	2.31	2.91	0.25	1.44	0.69	0.63	2.38	375	DI 11A34U-2
2	Two: 2 STR.-600	3/8	2.31	4.91	0.38	1.5	1.38	0.75	3	375	DI 11A36U-2
3	Three: 2 STR.-600	3/8	2.31	4.91	0.38	2.5	1.38	0.75	3	375	DI 22A36U-3
4	Four: 2 STR.-600	3/8	2.31	4.91	0.38	2.5	1.38	0.75	3	375	DI 22A36U-4
2	Two: 1/0 STR.-800	3/8	2.31	4.91	0.38	1.69	1.38	0.75	3	375	DI 11A39U-2
4	Four: 1/0 STR.-800	3/8	2.31	4.91	0.38	3.06	1.38	0.75	3	375	DI 22A39U-2
3	Three:1/0 STR.-800	3/8	2.31	4.91	0.38	3.06	1.38	0.75	3	375	DI 22A39U-3
4	Four:1/0 STR.-800	3/8	2.31	4.91	0.38	3.06	1.38	0.75	3	375	DI 22A39U-4



DIVYA DUAL-RATED MECHANICAL CONNECTORS

TYPE ADR — ALCUL™ Three-Conductor, Four-Hole Mount*



CAT. NO.	MAX.	(AL OR CU) MIN.	DIMENSIONS							
			L	W	H	D	E	F	G	I
DEDR02-34 1	2 Str.	14AWG	23/16	15/8	5/8	11/32	5/16	3/16	111/16	9/16
DEDR11-34 1	1/0 Str.	14AWG	229/32	2	7/8	11/32	3/8	1/4	25/32	45/64
DEDR31-34 1	3/0 Str.	6 Str.	4	213/16	13/16	5/8	1/2	5/16	3	31/32
DEDR25-34* 1	250 kcmil	6 Str.	43/16	213/16	11/4	5/8	1/2	1/4	31/16	31/32
DEDR35-34* 1	350 kcmil	6 Str.	43/16	33/16	11/4	5/8	1/2	1/4	31/16	11/32
DEDR50-34* 1	500 kcmil	2 Str.	411/46	33/4	19/16	5/8	1/2	7/16	35/16	11/4
DEDR60-34D2	600 kcmil	2 Str.	55/16	43/16	11/2	5/8	1/2	3/8	31/16	17/16
DEDRQ-34* 2	800 kcmil	300 kcmil	63/16	41/2	17/8	5/8	1/2	9/16	37/16	19/16
DEDR99-34*2	1000 kcmil	500 kcmil	63/16	43/4	17/8	5/8	1/2	9/16	37/16	141/64

DIVYA TYPE ADR_ALCUL711 Four-Conductor, Four-Hole Mount*



CAT. NO.	MAX.	(AL OR CU) MIN.	DIMENSIONS							
			L	W	H	D	E	F	G	I
DYEDR25-44 1	250 kcmil	6 Str.	4	41/16	13/16	5/8	1/2	5/16	3	13/64
DYEDR35-44 1	350 kcmil	6 Str.	41/4	423/32	13/8	5/8	1/2	5/16	3	17/32
DYEDR60-44D 1	600 kcmil	2 Str.	55/16	55/8	11/2	5/8	1/2	3/8	31/16	17/16
DYEDR80-44D2	800 kcmil	350 kcmil	63/16	71/8	17/8	5/8	1/2	9/16	37/16	113/16

DIVYA TYPE ASL_ALCUL7™ Two-Conductor, One-Hole Mount*



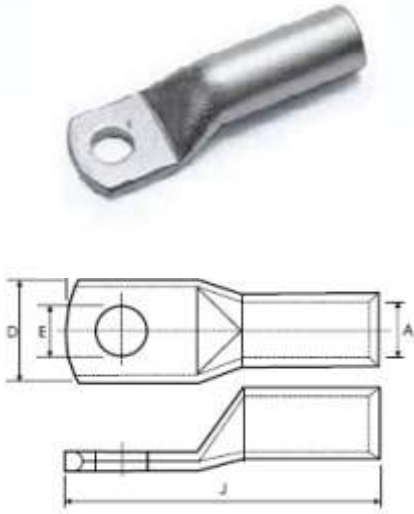
CAT. NO.	MAX.	(AL OR CU) MIN.	DIMENSIONS					
			L	W	H	D	F	MTG. HOLE DIA
DYESL30-21	300 kcmil	6 Str.	3	11/8	2	15/32	1/2	5/16



DIVYA INTERNATIONAL

MERCHANT EXPORTER

ALUMINIUM TERMINAS



Cable mm ²	Stud Hole E	Dimensions					Product Code
		A	D	G	H	J	
16	8	5.5	21.0	11.0	13.0	77.0	DYT 16 - 8
25	8	6.5	21.0	11.0	13.0	77.0	DYT 25 - 8
35	8	8.0	23.0	11.0	13.CL	77.5	DYT 35 - 8
	10	8.0	23.0	11.0	13.0	77.5	DYT 35 - 10
50	12	9.0	26.0	14.0	16.0	91.0	DYT 50 - 12
	14	9.0	26.0	16.0	18.0	95.0	DYT 50 - 14
70	12	11.0	27.0	14.0	16.0	91.0	DYT 70 - 12
	14	11.0	27.0	16.0	18.0	95.0	DYT 70 - 14
95	12	12.5	27.0	14.0	16.0	91.0	DYT 95 - 12
	14	12.5	27.0	16.0	18.0	95.0	DYT 95 - 14
120	12	13.7	35.0	14.0	16.0	115.0	DYT 120 - 12
	14	13.7	35.0	16.0	18.0	119.0	DYT 120 - 14
150	12	15.5	34.0	14.0	16.0	115.0	DYT 150 - 12
	14	15.5	34.0	16.0	18.0	119.0	DYT 150 - 14
185	12	17.0	42.0	14.0	20.0	122.0	DYT 185 - 12
	14	17.5	42.0	16.0	22.0	126.0	DYT 185 - 14
240	12	19.5	44.0	14.0	20.0	122.0	DYT 240 - 12
	14	19.5	44.0	16.0	22.0	126.0	DYT 240 - 14
300	12	22.5	47.0	14.0	22.0	130.0	DYT 300 - 12

ALUMINIUM THROUGH CONNECTORS

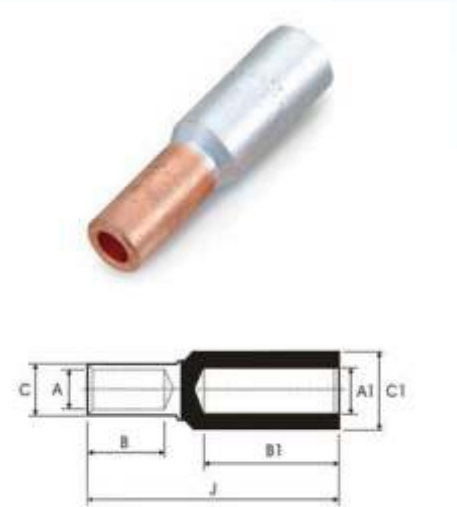


Wire Size	Dimensions			Product Code
	A	C	J	
16	5.5	16.0	90.5	DYEAC16
25	6.5	16.0	90.5	DYEAC25
35	8.0	16.0	90.5	DYEAC35
50	9.0	20.0	106.5	DYEAC50
70	11.0	20.0	106.5	DYEAC70
95	12.5	20.0	106.5	DYEAC95
120	13.7	25.0	133.0	DYEAC120
150	15.5	25.0	135.0	DYEAC150
185	17.0	32.0	143.5	DYEAC185
240	19.5	32.0	146.0	DYEAC240
300	22.5	34.0	144.5	DYEAC300



ALUMINIUM - COPPER BI - METAL CONNECTOR / SPLICE

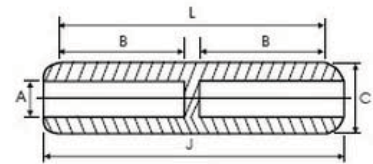
Cable Area mm ²		Dimensions							Product Code
Al. Solid or stranded	Copper stranded	A	C	D	A1	C1	B1	J	
16	16	5.6	12.2	29	5.5	16	43	88	DYBS16116
25	16	5.6	12.2	29	6.5	16	43	88	DYBS 25 - 16
25	25	7	12.2	29	6.5	16	43	88	DYBS 25 -25
35	16	5.6	12.2	29	8	16	43	88	DYBS 35-16
35	25	7	12.2	29	8	16	43	88	DYBS 35 -25
35	35	8	12.2	29	8	16	43	88	DYBS 35 - 35
50	25	7	12.2	29	9	20	43	88	DYBS 50 - 25
50	35	8	12.2	29	9	20	43	88	DYBS 50 - 35
50	50	9.5	12.2	29	9	20	43	88	DYBS 50 - 50
70	35	8	12.2	29	11	20	43	88	DYBS 70 - 35
70	50	9.5	12.2	29	11	20	43	88	DYBS 70 - 50
70	70	11	12.2	33	11	20	43	90	DYBS 70 - 70
95	50	9.5	21	29	12.5	20	43	88	DYBS 95 - 50
95	70	11	12.2	33	12.5	20	43	90	DYBS 95 - 70
95	95	13	21	33	12.5	20	43	90	DYBS 95 - 95
120	70	11	21	33	13.7	25	59	107	DYBS 120 - 70
120	95	13	21	33	13.7	25	59	107	DYBS 120 - 95
120	120	14.2	21	33	13.7	25	59	107	DYBS 120 - 120
150	95	13	21	33	15.5	25	59	107	DYBS 150 - 95
150	120	14.2	21	33	15.5	25	59	107	DYBS 150 - 120
150	150	16	21	33	15.5	25	59	107	DYBS 150 -150
185	120	14.2	21	33	17	32	59	107	DYBS 185 -120
185	150	16	21	33	17	32	59	107	DYBS 185 - 150
185	185	18	26.2	43	17	32	59	120	DYBS 185 -185
240	150	16	21	33	19.5	32	59	107	DYBS 240 -150
240	185	18	26.2	43	19.5	32	59	120	DYBS 240 -185
240	240	20	26.2	43	19.5	32	59	120	DYBS 240 -240





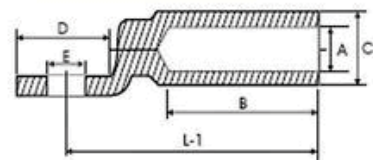
ALUMINIUM SPLICE FOR LV & MV (UPTO 30 KV), FOR SIMILAR CABLE CROSS SECTIONAL AREAS

Cable mm ²	Dimensions					Product Code
	A	D	G	H	J	
16	5.5	16	76	43	90	DYESC 16
25	6.5	16	76	43	90	DYESC 25
35	8	16	60	43	92	DYESC 35
50	9	20	93	53	110	DYESC 50
70	11	20	96	53	110	DYESC 70
95	12.5	20	98	53	110	DYESC 95
120	13.7	25	117	66	135	DYESC 120
150	15.5	25	118	66	135	DYESC 150
185	17	32	122	70	146	DYESC 185
240	19.5	32	124	70	146	DYESC 240
300	23.3	36	185	100	208	DYESC 300
400	26	36	190	100	208	DYESC 400
500	29.1	47	190	107	222	DYESC 500
630	33.5	47	197	107	222	DYESC 630
800	37.5	60	232	127	274	DYESC 800
1000	42	60	240	128	276	DYESC 1000



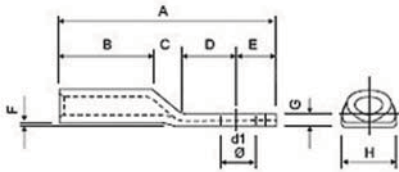
ALUMINIUM FORGED CABLE LUGS (AS PER DIN 46329)

Cable mm ²	Stud Hole E	Dimensions						Product Code
		Bolt	A	C	D	B	L-1	
16	8.4	M 8	5.8	12	20	30	50	DYEFL 16-8
25	8.4	M 8	6.8	12	20	30	50	DYEFL 25-8
35	8.4	M 8	8	14	25	42	62	DYEFL 35-8
50	8.4	M 8	9.8	16	25	42	62	DYEFL 50-8
70	8.4	M 8	11.2	18	25	52	72	DYEFL 70-8
95	10.5	M 10	13.2	22	25	56	75	DYEFL 95-10
120	10.5	M 10	14.7	22	30	56	80	DYEFL 120-10
150	10.5	M 10	16.3	25	30	60	90	DYEFL 150-10
185	10.5	M 10	18.3	28	30	60	91	DYEFL 185-10
240	10.5	M 10	21	32	38	70	103	DYEFL 240-10
300	13	M 12	23.3	34	38	70	103	DYEFL 300-12
400	13	M 12	26	38	38	73	116	DYEFL 400-12
500	13	M 12	29	44	44	79	122	DYEFL 500-12



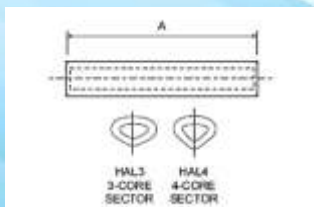


ALUMINIUM 3-CORE SECTOR CABLE LUGS



Cable mm ²	Stud 0	Dimensions									Product Code
		A	B	C	D	E	F	G	H	d10	
25	8							4.1	15.2	8.4	DYEL3-8-25
	10	65	25	8	17	12	1			10.4	DYEL-3-10-25
	12							2.9	21	12.5	DYEL3-12-25
35	8							4.4	17.6	8.4	DYEL3-8-35
	10	68	35	8	17	12	1			10.4	DYEL3-10-35
	12							3.6	21	12.5	DYEL3-12-35
50	10							4.5	20.3	8.4	DYEL3-10-50
	12	71	50	10	17	12	1			10.4	DYEL2-12-50
	16							2.9	21	12.5	DYEL3-16-50
70	10							5	23.2	10.4	DYEL3-10-70
	12	76	70	11	17	12	1			12.5	DYEL3-12-70
	16							4.6	26	16.5	DYEL3-16-70
95	10									10.4	DYEL3-10-95
	12	82	95	14	17	12	1.5	5.7	27.7	12.5	DYEL3-12-95
	16									16.5	DYEL3-16-95
120	12									10.4	DYEL3-12-120
	16	88	120	15	17	12	1.5	6.5	31	12.5	DYEL3-16-120
	20									16.5	DYEL3-20-120
150	12									12.4	DYEL3-12-150
	16	100	150	16	20.5	16	1.5	7.2	34.7	16.5	DYEL3-16-150
	20									20.5	DYEL3-20-150
185	12									12.4	DYEL3-12-185
	16	106	185	16	20.5	16	1.5	7.2	34.7	16.5	DYEL3-16-185
	20									20.5	DYEL3-20-185
240	20	116	240	20.5	22	18	2	5.7	43.6	20.5	DYEL-3-0-240
300	20	128.5	300	23	25	20	2	9.7	49.2	20.5	DYEL3-0-300

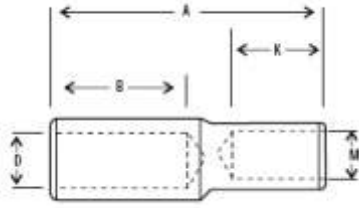
ALUMINIUM SECTOR FERRULES



Cable Size mm ²	A	Dimensions	
		3-CORE SECTOR	4-CORE SECTOR
25	66	DEL-3F-25	DEL-4F-25
35	70	DEL-3F-35	DEL-4F-35
50	74	DEL-3F-50	DEL-4F-50
70	78	DEL-3F-70	DEL-4F-70
95	84	DEL-3F-95	DEL-4F-95
120	91	DEL-3F-120	DEL-4F-120
150	102	DEL-3F-150	DEL-4F-150
185	108	DEL-3F-185	DEL-4F-185
240	118	DEL-3F-240	DEL-4F-240
300	130	DEL-3F-300	DEL-4F-300



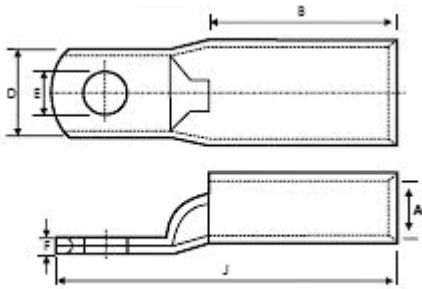
TINNED COPPER REDUCING LINKS



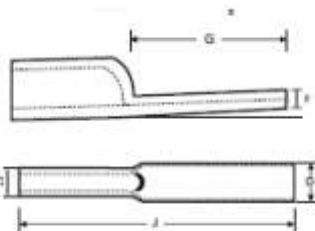
Cable mm ²	Dimensions					Product Code
	A	B	D	K	M	
630	120	56	34.5	38	21.5	DYRL-630-240
	125	56	34.5	42	23.5	DYRL-630-300
	140	56	34.5	55	26.5	DYRL-630-400
	140	56	34.5	55	30.0	DYRL-630-500



NARROW PALM - CIRCUIT BREAKER CABLE TERMINAL ENDS



Cable mm ²	Dimensions					Product Code
	A	D	F	B	J	
35	8.2	15.0	3.0	21.0	41.0	DYEP 35-5
50	9.5	15.0	3.2	22.0	43.0	DYEP 50-6
	9.5	19.0	3.2	22.0	49.0	DYRL 50-10
70	11.2	17.0	3.3	24.0	45.0	DYRL 70-6
	11.2	19.0	3.3	24.0	51.0	DYRL 70-10
95	13.4	19.0	3.9	27.0	51.0	DYRL 95-8
	13.4	19.0	3.9	27.0	55.0	DYRL 95-10
120	15.6	19.0	5.0	30.0	61.0	DYRL 120-8
	15.6	19.0	5.0	30.0	61.0	DYRL 120-10
150	16.7	19.0	5.5	30.0	66.0	DYRL 150-8
	16.7	19.0	5.5	30.0	66.0	DYRL 150-10
185	18.4	31.0	5.7	38.0	82.0	DYRL 185-10
240	21.2	31.0	7.1	38.0	82.0	DYRL 240-10
300	23.5	31.0	7.8	42.0	87.0	DYRL 300-10



LONG PALM LONG BARREL CABLE TERMINALS

Cable mm ²	Dimensions					Product Code
	A	D	G	H	J	
16	5.5	86	16	61	1.5	DYCYE -16
25	7.1	95	16	61	1.9	DYCYE-25
35	8.2	112	18	72	2.6	DYCYE-35
50	9.5	130	18.2	80	3.3	DYCYE-50
70	11.2	154	21.2	100	3.5	DYCYE-70
95	13.4	161	25	100	3.9	DYCYE-95
120	15.6	168	28.5	100	5.0	DYCYE-120
150	16.7	169	32	100	5.8	DYCYE-150
185	18.7	174	34	100	7.1	DYCYE-185
240	21.2	192	40	100	7.1	DYCYE-240
300	23.5	208	45	105	7.7	DYCYE-300
400	26.8	228	50	110	7.8	DYCYE-400
500	30	235	56	110	8.5	DYCYE-500
630	34	247	65	110	10.9	DYCYE-630



SOLDERING TYPE COPPERWEEK BACK FERRULES

Cable mm ²	Dimensions							Product Code
	A	C	D	G	H	B	J	
6	3	4.6	2	20	0.8	3	-	DHWB 6
10	4.4	6	2	25	0.8	4	-	DHWB 10
16	5.5	7.5	2	25	1	5	1.5	DHWB 16
25	7	9	2	30	1	7	1.5	DHWB 25
35	8	10.4	2	35	1.2	8	1.5	DHWB 35
50	9.5	11.9	2	40	1.2	9	1.5	DHWB 50
70	12	14.8	3	45	1.4	12	3	DHWB 70
95	13.5	16.3	3	50	1.4	13	3	DHWB 95
120	15.5	18.7	4	55	1.6	15	3	DHWB 120
150	17	20.6	4	60	1.8	16	3	DHWB 150
185	18.5	22.9	4	65	2.2	18	5	DHWB 185
225	20.5	24.9	5	75	2.2	20	5	DHWB 225
240	22	26.4	5	80	2.2	21	5	DHWB 240
300	24	29.6	5	85	2.8	23	5	DHWB 300
400	28.5	34.7	7	95	3.1	27	5	DHWB 400
500	30.5	37.5	7	105	3.5	30	5	DHWB 500
625	34.5	42.5	8	115	4	33	5	DHWB 625



ALUMINIUM 4-CORE SECTOR CABLE LUGS

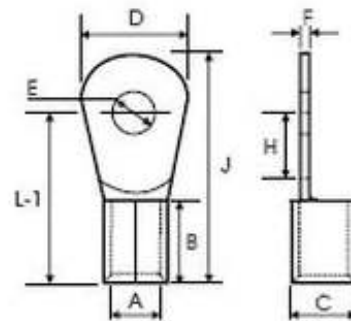
Cable mm ²	Stud 0	Dimensions									Product Code
		A	B	C	D	E	F	G	H	D10	
25	8							4.1	15.2	8.4	DYEL3-8-25
	10	65	25	8	17	12	1			10.4	DYEL3-10-25
	12							2.9	21	12.5	DYEL3-8-35
35	8							4.4	17.6	8.4	DYEL3-8-35
	10	68	35	8	17	12	1			10.4	DYEL3-10-35
	12							3.6	21	12.5	DYEL3-12-35
50	10							4.5	20.3	8.4	DYEL3-10-50
	12	71	50	10	17	12	1			10.4	DYEL3-12-50
	16							2.9	21	12.5	DYEL3-16-50
70	10							5	23.2	10.4	DYEL3-10-70
	12	76	70	11	17	12	1			12.5	DYEL3-12-70
	16							4.6	26	16.5	DYEL3-16-70
95	10									10.4	DYEL3-10-95
	12	82	95	14	17	12	1.5	5.7	27.7	12.5	DYEL3-12-95
	16									16.5	DYEL3-16-95
120	12									10.4	DYEL3-12-120
	16	88	120	15	17	12	1.5	6.5	31	12.5	DYEL3-16-120
	20									16.5	DYEL3-20-120
150	12									12.4	DYEL3-12-150
	16	100	150	16	20.5	16	1.5	7.2	34.7	16.5	DYEL3-16-150
	20									20.5	DYEL3-20-150
185	12									12.4	DYEL3-12-185
	16	106	185	16	20.5	16	1.5	7.2	34.7	16.5	DYEL3-16-185
	20									20.5	DYEL3-20-185
240	20	116	240	20.5	22	18	2	5.7	43.6	20.5	DYEL3-0-240
300	20	128.5	300	23	25	20	2	9.7	49.2	20.5	DYEL3-0-300



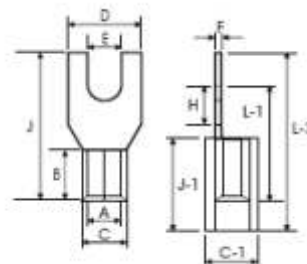


RING TYPE TINNED COPPER CABLE TERMINAL ENDS - INSULATED

Dimensions			Insulated Product Code
J-1	L-3	C-1	
10	16	4.8	DYRI-7052
10	16	4.8	DYRI-7053
10	16	4.8	DYRI-7054
10	16	4.8	DYRI-7055
10	16	4.8	DYRI-7056
10	17	4.8	DYRI-7062
10	18	4.8	DYRI-7066
10	14.5	5.5	DYRI-7068
10	14.5	5.5	DYRI-7069
10	17	5.5	DYRI-7071
10	17	5.5	DYRI-7072
10	18	5.5	DYRI-7074
10	21	5.5	DYRI-7077
10	22	5.5	DYRI-7079
10	22	5.5	DYRI-7080
10	25	5.5	DYRI-7082
14	22	7.1	DYRI-7085
14	22	7.1	DYRI-7086
14	22	7.1	DYRI-7089
14	22	7.1	DYRI-7090
14	26.5	7.1	DYRI-7094
14	26.5	7.1	DYRI-7095



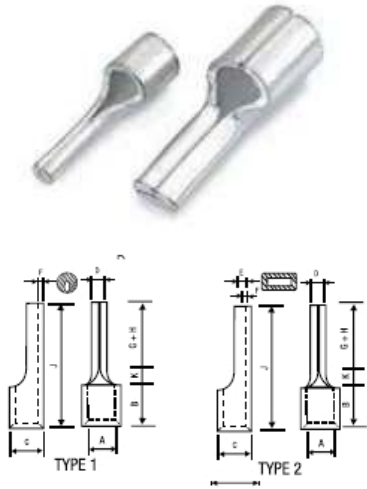
FORK TYPE TINNED COPPER CABLE TERMINAL ENDS (NON INSULATED & INSULATED)



Cable mm ²	Stud Hole E	Dimensions								Non Insulated Product Code	Dimensions			Insulated Product Code
		A	C	D	F	B	H	J	L-1		C-1	J-1	L-3	
1.5	5.1	1.6	3.2	8	0.8	5	10	21	17	DE-7214	4.8	10	27	DR-7925
	3.5	1.6	3.2	6.8	0.8	4	4.8	13	8.8	DE-7249	4.8	10	20.8	DR-7926
	3	2	2.8	6.2	0.4	5	3.1	13	10.5	DE-7250	4.8	10	20.5	DR-7927
2.5	3.5	2.3	3.9	6.5	0.8	5	4.3	15	11.8	DE-7251	5.5	10	21.8	DR-7928
	5	2.6	4.6	10.6	1.6	6.2	6.2	21	12.4	DE-7280	5.5	10	20	DR-7929
4-6	3.1	3.5	5.5	6	1	6	5.5	15	11.5	DE-7252	7.1	14	27.5	DR-7930
	3.5	3.5	5.5	6	1	6	5	15	11	DE-7253	7.1	14	27	DR-7931
10	6.5	4.5	6.9	16	1.2	8	11	27	19	DE-7254	7.9	16	35	DR-7932
	8.2	4.5	6.9	16	1.2	8	11	27	19	DE-7255	7.9	16	35	DR-7933



COPPER PIN TYPE CABLE TERMINAL ENDS



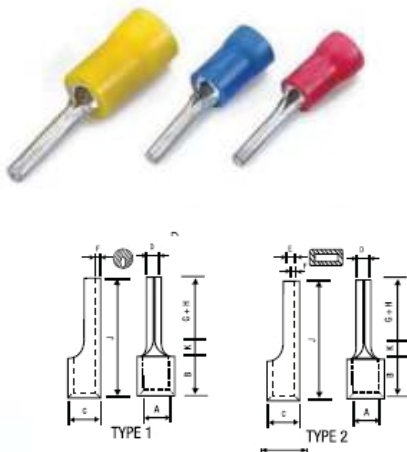
Cable mm ²	Stud Hole	Dimensions							TYPE	Product Code
		A	C	D	F	B	G+H	J		
1.5	-	1.6	3.2	1.9	0.8	5	10	17	I	DEP-9
2.5	-	2.3	3.9	1.9	0.8	5	10	17	I	DEP-1
4	-	2.9	4.9	2.7	1	6	10	20	I	DEP-3
6	-	3.6	5.6	2.7	1	6	10	20	I	DEP-5
6	-	4	6	2.7	1	6	10	20	I	DEP-6
10	2.4	4.5	6.7	4.3	1.1	8	12	22	I	DEP-7
16	2.6	5.8	8.2	5.5	1.2	10	13	26	II	DEP-8
25	3.8	7.5	11.1	7.2	1.8	11	15	33	II	DEP-10
35	3.8	9	12.6	8.2	1.8	12	15	33	II	DEP-11
50	3.8	10.5	14.1	9	1.8	16	17	41	II	DEP-12
70	4.1	12	16	10	2	16	16	46	II	DEP-13
95	4.8	13.5	16.1	10	2.3	20	20	51	II	DEP-14

COPPER FLAT TYPE CABLE TERMINAL ENDS



Cable mm ²	Stud Hole E	Dimensions							Product Code
		A	C	D	F	B	G+H	J	
1.5	-	1.6	3.2	3.1	0.8	5	10	17	DEP-35
2.5	-	2.3	3.9	3.1	0.8	5	10	17	DEP-2
4	-	3.6	5.6	5.1	1	6	10	20	DEP-4
6	-	3.5	5.5	5	1	6.4	12.4	20.4	DEP-15

COPPER INSULATED PIN TYPE CABLE TERMINAL ENDS



Cable mm ²	Stud Hole E	Dimensions									TYPE	Product Code
		A	C	D	F	G	B	G+H	C-1	J-1		
1.5	-	1.6	3.2	1.9	0.8	5	10	17	4.8	10	I	DEPI-17
2.5	-	2.3	3.9	1.9	0.8	5	10	17	5.5	10	I	DEPI-18
4	-	2.9	4.9	2.7	1	6	10	20	7.1	14	I	DEP-20
6	-	3.6	5.6	2.7	1	6	10	20	7.1	14	I	DEP-22
6	-	4	6	2.7	1	6	10	20	7.9	14	I	DEP-23
10	2.4	4.5	6.7	4.3	1.1	8	12	22	7.9	16	II	DEP-24
16	2.6	5.8	8.2	5.5	1.2	10	13	26	10	20	II	DEP-25

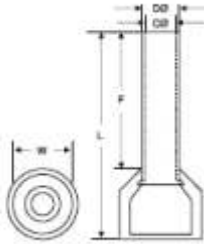
COPPER INSULATED FLAT TYPE CABLE TERMINAL ENDS



Cable mm ²	Stud Hole E	Dimensions									Product Code
		A	C	D	F	G	B	G+H	C-1	J-1	
1.5	-	1.6	3.2	3.1	0.8	5	10	17	4.8	10	DEPI-40
2.5	-	2.3	3.9	3.1	0.8	5	10	17	5.5	10	DEPI-19
4	-	3.6	3.6	5.1	1	6	10	20	7.1	14	DEP-24



INSULATED END-SEALING FERRULES



Cable mm ²	Stud Hole	Dimensions					Product Code
		F	L	W	D0	C0	
White	0.5	6.0	12.0	2.6	1.3	1.0	De0506
		8.0	14.0				DE0508
		10.0	16.4				DE0510
		12.0	18.4				DE0512
Blue	0.75	6.0	12.4	2.8	1.5	1.2	DE0506
		8.0	14.4				DE0508
		10.0	16.4				DE0510
		12.0	18.4				DE0512
Red	1.0	6.0	12.0	3.0	1.7	1.4	DE1006
		8.0	14.0				DE1008
		10.0	16.0				DE1010
		12.0	18.0				DE1012
Black	1.5	8.0	14.6	3.5	2.0	1.7	DE1508
		10.0	16.4				DE1510
		12.0	18.4				DE1512
		18.0	24.4				DE1518
Grey	2.5	8.0	15.2	4.0	2.6	2.3	DE2508
		10.0	17.2				DE2510
		12.0	19.2				DE2512
		18.0	25.2				DE2518
Orange	4.0	9.0	16.5	4.4	3.2	2.8	DE4009
		12.0	19.5				DE4012
		18.0	25.5				DE4018
Green	6.0	10.0	18.0	6.3	3.9	3.5	DE6010
		12.0	20.0				DE6012
		18.0	26.0				DE6018
Brown	10.0	12.0	21.5	7.6	4.9	4.5	DE10-12
		18.0	27.5				DE10-18
White	16.0	12.0	22.2	8.8	6.2	5.8	DE16-12
		18.0	28.2				DE16-18
Brown	25.0	16.0	29.0	11.2	7.9	7.5	DE25-16
		22.0	35.0				DE25-22
White	35.0	16.0	30.0	12.7	8.7	8.3	DE35-16
		25.0	39.0				DE35-25
Olive	50.0	20.0	36.0	15.3	10.9	10.3	DE50-20
		25.0	41.0				DE50-25

Note: All Dimensions in mm



COPPER BONDED GROUNDING ROD

DIVYA copper bonded earth rod are made from low Carbon Steel of grade BS 970 or AISI 1018 with a high tensile strength of at least 600 N/mm² . Low carbon steel core are molecularly bonded with 99.9% pure electrolytic copper.

Diameter Nominal	Actual Diameter	Length		Copper Thk		THDS.	Net Kg/l	Product Code
		Feet	MM	MIL.	Mic.			
1/2"	12.7 MM	6	1830	10	254	/	1.8	DYBR-183
1/2"	12.7 MM	8	2440	10	254	/	2.4	DYBR-244
5/8"	14.2 MM	4	1220	10	254	/	1.5	DYBR-122
5/8"	14.2 MM	5	1530	10	254	/	1.8	DYBR-153
5/8"	14.2 MM	6	1830	10	254	/	2.2	DYBR-183
5/8"	14.2 MM	8	2440	10	254	/	3.0	DYBR-244A
5/8"	14.2 MM	10	3050	10	254	/	3.7	DYBR-305
5/8"	14.2 MM	4	1220	10	254	5/8"	1.5	DYBR-122A
5/8"	14.2 MM	5	1530	10	254	5/8"	1.8	DYBR-153A
5/8"	14.2 MM	6	1830	10	254	5/8"	2.2	DYBR-183A
5/8"	14.2 MM	10	3050	10	254	5/8"	3.7	DYBR-305A
3/4"	17.2 MM	5	1530	10	254	/	2.7	DYBR-153 B
3/4"	17.2 MM	6	1830	10	254	/	3.3	DYBR-183 B
3/4"	17.2 MM	8	2440	10	254	/	4.4	DYBR-244 B
3/4"	17.2 MM	10	3050	10	254	/	5.5	DYBR-305 B
3/4"	17.2 MM	5	1530	10	254	3/4"	2.7	DYBR-153 C
3/4"	17.2 MM	6	1830	10	254	3/4"	3.3	DYBR-183 C
3/4"	17.2 MM	8	2440	10	254	3/4"	4.4	DYBR-244 C
3M"	17.2 MM	10	3050	10	254	3/4"	5.5	DYBR-305 C

GROUNDING ROD CLAMPS

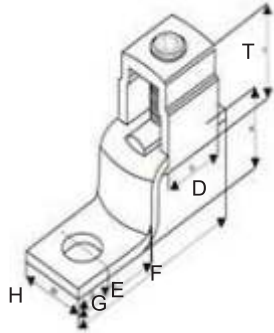
FOR DIRECT BURIAL
W/BRONZE OR STAINLESS SCREWS



Item	Size of Earthing Rod	Product Code
Bronze	1/2"	DYGC - 311
	5/8"	DYGC - 312
	3/4"	DYGC - 312



COPPER ONE HOLE OFFSET TONGUE TERMINAL ENDS CONNECTORS



Copper Conductor Size Ran.	Screw Yash Size	Dimensions							Product Code
		F	E	D	G	K	H	T	
10-14 6-14	Slotted	26	12	7	5.3	6.5	7.95	9.5	DYUL25
Comb. (A) 2-8	Slotted	31.5	15	11	5.6	11	9.5	12.3	DYUL35
Comb. (B) 1/0-6	Slotted	39.5	20.5	12.7	6.35	14.2	12	16.3	DYUL70
3/0-4	3/16"	56	30	18	11	20	19	26.5	DYUL175
4/0-2	7/32"	65	33.8	24.5	13	26	25.2	29.75	DYUL225
350 MCM									
1 AWG	8 mm	72	34	31	13.10	26.2	25.2	35.7	DYUL300
500 MCM									
1/0	8 mm	104	56.5	36	23	35.5	38	41	DYUL400
1000 MCM									
600 MCM	3/8"	123	62	57	28.5	42	50	59	DYUL650

EARTH BARS FOR EARTH PITS

INSYECTION HOUSING EARTH BARS

These earth bars fit into the slots provided in the earth pits housings and are used when multiple connections to the grounding rod are required.



Material : Copper

NO. HOLES	HOLES 0 mm	L mm	W mm	H mm	Product Code
5	12	290	30	6	DYEBC 05
7					DYEBC 07

P. S.: Other hole sizes / extra holes available on request.



Line Taps / Split Bolt Connectors

Material: Brass Finish : Natural

DIVYA manufacturing a vast range of line taps to meet the materials and dimensional specifications laid by different international standards. Brass line taps are made with high tensile brass as per BS 2874 - CZ 112. Threads are formed by rolling process giving the nut extra clamping force, pressure pads are made from extruded bars (not cast), preventing the pads from cracking. Brass line taps are manufactured in passivated natural brass with electro tinned finish, They are also supplied in high conductivity copper.



Cable mm ²	J	C	B alf	D alf	F	CAT NO.
6	24.00	3.20	10.00	12.70	6.50	DYEB-001
10	27.30	5.50	12.70	19.00	5.60	DYEB-002
16	27.30	5.50	12.70	19.00	5.60	DYEB-003
25	28.90	6.90	15.00	19.00	5.60	DYEB-004
35	34.80	8.10	18.00	24.00	7.10	DYEB-005
50	42.00	9.60	23.00	27.30	9.40	DYEB-006
70	47.50	11.17	23.00	30.00	9.40	DYEB-007
95	53.00	14.00	25.40	34.30	9.40	DYEB-008
120	59.00	16.00	30.00	35.55	12.20	DYEB-009
150	59.00	16.00	30.00	35.55	12.20	DYEB-010
185	59.00	18.00	32.00	38.10	12.20	DYEB-011
240	76.20	22.20	39.00	48.25	14.60	DYEB-012
300	76.20	23.00	39.00	48.25	14.60	DYEB-013
400	76.50	26.00	48.00	56.00	16.00	DYEB-014
500	80.00	30.00	55.00	65.00	16.00	DYEB-015

Split Bolt Connector with Round Head

Material: Brass Finish : Natural



DIVYA has a complete range of split bolts that used for joining aerial hard drawn copper conductors or insulated copper conductors. The split bolts are made from a high conductivity copper alloy with captive saddie which applies a distributed pressure to conductors. The head of the split bolt is suitable for standard for standard spanner to fit in. They can be supplied in natural copper alloy or electro tinned

Size mm ²	Slot Cond mm ²	CAT NO.
25	6.6	DYEBR-001
16	5.3	DYEBR-002
35	8.3	DYEBR-003
70	10.9	DYEBR-004
95	12.9	DYEBR-005
185	18.5	DYEBR-006

PLASTIC EARTH PIT / HOUSING

Material: Plastic

This DIVYA Earth housing pit is manufactured from heavy high-grade polypropylene for high strength & stress levels to absorb a maximum load of 5000 kg. Stabilised against degradation by non-brittle and by sunlight to prevent cold weather damage. The light weight feature allows easy handling, storage and transportation, thus increasing installation efficiency. Termination area is increased by 100% due to simple locking of two units together, allowing deeper earth electrode connections to be made and reducing the effects from harmful voltage gradients.

Product Code : DEEP

Dimension: 315x315x230

WT: 2.5 kg



EARTH ROD SEALS

Material: Plastic

The earth rod seal is fitted when the earth rod connection is below the water level and where there is a possibility of water entering the inspection housing from below ground. DIVYA earth seals are specifically designed to suit earth Rods of various diameters from 1/2 " to 3/4 These seals are used along with DIVYA earth Pils.

Product Code : DEES -2036 single

DEES - 2037 double



EARTH ENHANCING MIRACLE COMPOUND

What happens with normal Earthing using Salt & Charcoal
The Electrical drain gets clogged in summer allowing electrical energy to remain in the circuit destroying the electronic and electrical goods

DIVYA Advantage

- Miracle compound
- Achieves resistance acceptable to any international body
- Maintenance Free
- Low Step and Touch Potential
- Environmentally Friendly
- Saves your electrical and electronic equipments from ground faults



The Electrical drain does not get clogged allowing immediate exit of the energy keeping all equipments intact.

Physical Properties

Presentation	: In granular form.
Granulometry	: 0.85mm to 4mm
Colour / Smell	: Grey / Inodorous
Volumetric Mass	: 500 to 650 Kg/m ³
	: compressed 450 to 500
	: Kg/m ³ uncompressed
Solubility in water	: Partially miscible
YE Value	: 6.9 to 7.2 of 1000gm/lit At 20°C

Miracle Compound For Earthing

Ionic chemicals	- Salts creates ions for easy conduction
Dispersion Chemicals	- Spreads the salts equally in the earth pit
Expansion Chemicals	- Expands 18 to 20 times and - removes entrapped air to create strong connection between rod and soil.
Diffusion chemicals	- Diffuses into soil pores and creates conductive silicate roots enlarging conductive zone of earth pit.
Hygroscopic chemicals	- Absorbs atmospheric & surrounding moisture & retain it in the soil in form of jelly.

DIVYA CRIMPING TOOLS



A - 6

Crimping Capacity : 0.5mm² to 6mm²



B - 16

Crimping Capacity : 0.5mm² to 16mm²



IN - 6

(For Insulated)

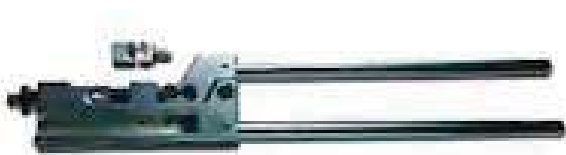
Crimping Capacity : 1.5mm², 2.5mm², 4-6mm²



F - 6

(For End Sealing Ferrules)

Crimping Capacity : 0.5mm² to 6MM²



E - 95

Dies : R-1 to R-10

Crimping Capacity : 10mm² to 95mm²



F - 185

Dies R-1 to R - 13

Crimping Capacity : 10mm² to 185MM²



F1 - 185

Dies : R-1 to R-13

Crimping Capacity : 10mm² to 185mm²



G - 400

Dies : Profile

Crimping Capacity : 50mm² to 400mm² (Al.)
50mm² to 240mm² (Cu.)



DIVYA CRIMPING TOOLS



H - 50
(Dieless)
Crimping Capacity :
for Cu. & Al. crimping socket : 25mm², 35mm² & 50mm²
for Ring Type : 16mm², 25mm² & 35mm²



H - 70
(Dieless)
for Ring Type only
Crimping Capacity : 16mm² to 70mm²



G1 - 400
(Gear Operated)
Crimping Capacity : 50mm², 400mm² (Al.)
50mm² to 300mm² (Cu.)



H - 95
(Dieless)
Crimping Capacity :
for Cu. & Al. crimping socket : 10mm² to 95mm²



H - 50
(Hydraulic)
Dies : R-11 to R-18
Crimping Capacity : 50mm² to 400mm²



HYF - 50
(Hydraulic Foot Operated)
Crimping Capacity : 50mm² to 400mm²



HSC - 100
Anti Corrosive Compound



EARTHING EQUIPMENTS / FITTINGS CLAMPS

ROD TO TAPE CLAMP - TYPE 'A'

ROD DIA mm	TYEE SIZE (W x T) mm	P-CODE
9.5 to 12.5	20x2	DYE9520H
	25x3	DYE9525H
14.2 to 16	25x3	DYE1625H
	30x3	DYE1620H
	50x6	DYE1650H
17.2 to 20	25x3	DYE2025H
	30x3	DYE2030H
	50x6	DYE2050H
20 to 25	30x3	DYE2530H
	50x6	DYE2550H

MATERIAL : HIGH GRADE COPPER ALLOY
BOLT : STAINLESS STEEL - SS304



ROD TO TAPE CLAMP - TYPE 'A' WITH EXTRA GRIP

MATERIAL : HIGH GRADE COPPER ALLOY
BOLT : STAINLESS STEEL - SS304

ROD DIA mm	TYEE SIZE (W x T) mm	P-CODE
14.2 to 16	25x3	DYE1425AEG
	30x3	DYE1430AEG
	50x6	DYE2050AEG
17.2 to 20	25x3	DYE1625AEG
	30x3	DYE1630AEG
	50x6	DYE2050AEG
20 to 25	30x3	DYE2030AEG
	50x6	DYE2050AEG



EARTHING EQUIPMENTS / FITTINGS

ROD TO CABLE CLAMP - TYPE 'G'

Suitable for use with a combination of rod size and conductors

MATERIAL : HIGH GRADE COPPER ALLOY
BOLT : STAINLESS STEEL - SS304

ROD DIA mm	CONDUCTOR RANGE mm ²	E-CODE
9.5 to 12.5	6-35	DYE935
12.5 to 14.2	16-70	DYE1470
14.2 to 17.2	16-95	DYE1695
17.2 to 20	50-95	DYE2095



ROD TO CABLE CLAMP - TYPE 'G' WITH EXTRA GRIP

MATERIAL : HIGH GRADE COPPER ALLOY
BOLT : STAINLESS STEEL - SS304

ROD DIA mm	CONDUCTOR RANGE mm ²	ROD DIA mm
14.2 to 17.2	16-95	16-95
17.2 to 20	50-95	50-95



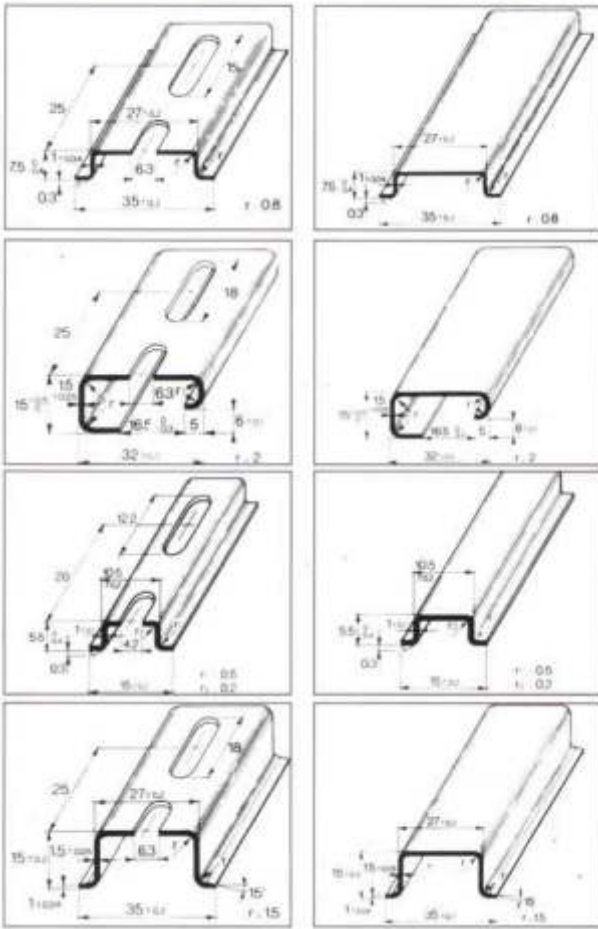


DIN RAIL CHANNELS

DIVYA offers a complete range of DIN RAILS for the mounting of terminal blocks, MCB's etc. These steel rails are manufactured from cold roll steel and processed in various types through rolling. The finish is zinc electroplated with yellow passivation. Also available with white passivation, as per ROHS compliance, against specific order.

All rails are available in 1 mtr. & 2 mtr. length and in three types i.e. Plain (P), Punched / Dotted (D) & Slotted (S)

While ordering add the type :
P for (Plain), D for (Dotted/Punched) and S for (Slotted).



Prod. Code :- D DR- E3575
Size :- 35mm x 7.5mm

Prod. Code :- D DR- E3215G
Size :- 32mm x 15mm x 9mm

Prod. Code :- D DR- E1555
Size :- 15mm x 5.5mm

Prod. Code :- D DR- E3515G
Size :- 35mm x 15mm

End Clamps for Din Rails



Prod. Code :- DEDR - 35

Prod. Code :- DEDR - 32



EARTHING EQUIPMENTS / FITTINGS

SPLIT CONNECTOR CLAMP - TYPE 'B'

Most suitable for unthreaded rods

MATERIAL : HIGH GRADE COPPER ALLOY
BOLT : STAINLESS STEEL - SS304



ROD DIA mm	P-CODE
9.5	DYESC0009B
12.5	DYESC0012B
14.2	DYESC0014B
16	DYESC0016B
17.2	DYESC0017B
20	DYESC0020B
25	DYESC0025B

NOTE: CABLE LUG IS NOT A PART OF TYE CLAMP

SPLIT CONNECTOR CLAMP - TYPE 'B' (ADJUSTABLE)

Most suitable for unthreaded rods

MATERIAL : HIGH GRADE COPPER ALLOY
BOLT : STAINLESS STEEL - SS304



ROD DIA mm	P-CODE
9.5 to 14.2	DYSC0914A
16 to 20	DYSC1620A

NOTE: CABLE LUG IS NOT A PART OF TYE CLAMP

U-BOLT ROD CLAMP - TYPE 'E' - SINGLE PLATE

Suitable for use with a combination of rod conductors

MATERIAL : HIGH GRADE COPPER ALLOY
BOLT : STAINLESS STEEL - SS304



ROD DIA mm	P-CODE
9.5 to 12.5	DYEUR1225E
14.2 to 16	DYEUR1625E
17.2 to 20	DYEUR2025E
20 to 25	DYEUR2550E

NOTE: CABLE LUG IS NOT A PART OF TYE CLAMP



EARTHING EQUIPMENTS / FITTINGS

U-BOLT ROD CLAMP - TYPE 'E' WITH DOUBLE PLATE

Suitable for connecting copper tapes to the rods

MATERIAL : HIGH GRADE COPPER ALLOY
BOLT : STAINLESS STEEL - SS304



ROD DIA mm	TYEE SIZE "W" mm	P-CODE
9.5 to 12.5	25	DGUV1225E
14.2 to 16	25	DGUV1625E
17.2 to 20	25	DGUV2025E
20 to 25	50	DGUV2550E

U-BOLT ROD CLAMP

Suitable for connecting copper conductor to the rod

MATERIAL : HIGH GRADE COPPER ALLOY
BOLT : STAINLESS STEEL - SS304



ROD DIA mm	CONDUCTOR SIZE IN mm ²	P-CODE
9.5 to 12.5	16 - 35	DGUV935
14 to 16	16 - 35	DGUV1435
14 to 16	16 - 95	DGUV1695
14 to 20	35 - 185	DGUV20185
16 to 20	120 - 300	DGUV20300
20 to 25	300 - 500	DGUV20500



EARTHING EQUIPMENTS / FITTINGS

U-BOLT ROD CLAMP 3 - CONDUCTOR TYPE

Suitable for connecting copper conductor to the rods

MATERIAL : HIGH GRADE COPPER ALLOY
BOLT : STAINLESS STEEL - SS304



ROD DIA mm	TYEE SIZE "W" mm	P-CODE
12.5-16	16 - 35	DGUV16352C
12.5-16	50 - 70	DGUV16703C
16 - 20	50 - 95	DGUV20953C
20 - 25	120 - 150	DGUV251503C

REBAR CLAMP

Suitable to connect Rebar rod to conductor

MATERIAL : HIGH GRADE COPPER ALLOY
BOLT : STAINLESS STEEL - SS304



ROD DIA mm	CONDUCTOR SIZE IN mm ²	P-CODE
8	8 - 18mm	DGUV818
	18 - 38mm	DGUV8138



EARTHING EQUIPMENTS / FITTINGS (SHEET METAL CLAMP) CROSS CLAMPS FOR ABOVE AND UNDERGROUND CONNECTION

Suitable for cross and T connections between Conductors

MATERIAL : BRASS STAINLESS STEEL AND GALVANIZED MILD STEEL
FASTENERS : STAINLESS STEEL

TYPE : 1

SUITABLE TO CONNECT ROD TO FLAT CONDUCTOR (WITH INTERMEDIATE PLATE)



DIMENSION 'L x W x B'	ROD / ROD SIZE IN mm	P-CODE
60 x 60 x 3	8-10	DYEC663P
60 x 60 x 4	8-10	DYEC664P

TYPE : 2

SUITABLE TO CONNECT ROD TO FLAT CONDUCTOR (WITHOUT INTERMEDIATE PLATE)



DIMENSION 'L x W x B'	ROD / ROD SIZE IN mm	TYEE / TYEE SIZE IN mm	P-CODE
70 x 70 x 3	8-10	30x3	DYEC773
70 x 70 x 4	8-10	40x3	DYEC774

TYPE : 3

SUITABLE TO CONNECT ROD TO FLAT CONDUCTOR (WITH INTERMEDIATE PLATE) UP TO 40mm



DIMENSION 'L x W x B'	ROD / ROD SIZE IN mm	TYEE / TYEE SIZE IN mm	P-CODE
70 x 70 x 3	8-10	30 / 40	DYEC773P
70 x 70 x 4	8-10	30 / 40	DYEC774P

TYPE : 4

SUITABLE TO CONNECT ROD TO FLAT CONDUCTOR (WITHOUT INTERMEDIATE PLATE)



DIMENSION 'L x W x B'	TYEE / TYEE SIZE IN mm	P-CODE
60 x 60 x 3	30 / 30	DYEC663
70 x 70 x 4	30 / 40	DYEC774



HOT LINE CLAMP

DIVYA Catalog Number : DHLC2081
 Description : Bronze Type YHLC - Holt Line Clamps for wire range Main AWG 2/0 - 8
 Status : Active



Features :

Eye-bolt coated with high-temperature grease to ensure easy turning in all weather conditions.

General :

Style : Type YLC - Holt Line Clamps
 Material : Bronze
 Conductor Range AWG Main : 2/0-8
 Conductor Range AWG Tap : 2/0

Cat No.	For Wire Combination	For Wire Combination	Conductor Range			
			ACSR	Main AWG or KCMIL	ACSR	Tap AWG
Bronze Body DHLC 2018	Copper to Copper	Copper to Copper	–	2/8--8	–	2/8--8
Plated Bronze Body DHLC 2018P	General Purpose	General Purpose	2/0--6	2/0--8	2/0--6	2/0--8
Plated Aluminum Body DHLC2018AP 9 Purpose	General	General	2/0--6	2/0--8	2/0--6	2/0--8
Bronze Body DHLC 3947	Copper to Copper	Copper to Copper	–	400--6 sol.	–	400--6 sol.
Plated Bronze Body DHLC 3947P	General Purpose	General Purpose	–	400--6 sol.	3/0--6	400--6 sol.
Plated Aluminum Body DHLC 3947AP	General Purpose	General Purpose	397.6--6	400--6 sol.	3/0--6	400--6 sol.



HOT LINE CLAMPS

DIVYA Catalog Number : YEH29
 Description : Aluminum Type YEH - Center Bolt Parallel Groove Hot Tap Clamps for wirerange Main AWG 2/0 Str. - 8 Sol., Main ASCR 2/0 - 8
 Status : Active



Features :

Incorporates the superior design features of parallel groove clamps, time-proven for reliable performance. Wide temperature range lubricant prevents seizing of protected threads. Tap wire positively secured to clamp during installation and removal by hex head bolt and pressure pad. Main and tap clamped securely as clamp is tightened.

General :

Style : Type DEH - Center Bolt Parallel Groove Hot Tap Clamps
 Material : Bronze / Aluminum
 Conductor Range AWG Main : 2/0-8
 Conductor Range AWG Tap : 2/0

Cat No.		Conductor Range				Conductor Diameter				Center Bolts		Dimensions (in.)			
		Main		Tap		Main		Tap		No.	Dia.	Fig.	W	H	L
Std.	Pre-filled	ACSR	AWG	ACSR	AWG	max	min	max	min						
Aluminium Clamps															
	DEH39	2/0—8 397.5—6	2/0 str.—8 sol.	1/0-8	1/0 str.—8 sol.	.447	.128	.398	.128	1	½	1	2	5	2
DEH4	DEH49	2/0-6 AR 874—4/0	450—4 sol.	3/0—6	4/0 str.—6 sol.	.781	.198	.528	.198	1	½	1	3	6	2
	DEH69	397.57—2 AR 874—4/0	1000—4/0 str.	266—6	300—6 sol.	1.152	.522	.657	.522	2	½	2	4	6	4
	DEH6129*	397.5—2 AR	1000—4/0 str.	266—6	300—6 sol.	1.152	.522	.657	.522	1	½	3	3	6	3
Copper Clamps															
DEH3	DEH39		2/0 str.—8 sol.	—	2/0 str.—8 sol.	.419	.419	.128	.419	1	½	1	2	5	1



DIVYA HMT Connectors

Superior connections with lower installation costs.

DEMT CONNECTORS

- PVC insulation eliminates insulation failures and reduces outage costs
- UV-resistant material
- Compact design provides space efficiencies



The high quality and built-in flexibility of DIVYA Connectors reduce the cost of field installations on splices, taps and terminations. They* re easy and quick to install, and provide superior insulation that lasts the life of the connection.



YEMT Aluminium Splice

CAT. NO.	FIGURE	NO. OF YERTS	WIRE RANGE	LENGTH	WIDTH	LENGTH	YASH SIZE	STD.PKG.QTY
DEMTSR10	1	—	1/0-14 STR	3.25	0.94	1.63	3/16	4
DEMTSR250	1	—	250MCM-6 STR.	3.96	1.19	2.17	5/16	4
DEMTSR350	1	—	350MCM-6 STR.	4.43	1.31	2.62	5/16	2
DEMTSR500	1	—	500MCM-4 STR.	5.38	1.44	3.03	3/8	2
DEMTSR750	1	—	750MCM-250MCM	7.25	1.75	3.16	1/2	2

YEMT Splice Offset

CAT. NO.	FIGURE	NO. OF YERTS	WIRE RANGE	LENGTH	WIDTH	LENGTH	YASH SIZE	STD.PKG.QTY
DEMTTC4	3	2	4-14 STR.	1.24	1.25	1.42	1/8	12
DEMTTC10	3	2	1/0-14 STR.	1.63	1.63	1.63	3/16	6
DEMTTC20	3	2	2/0-14 STR.	1.41	1.50	1.35	Slotted Screw	25
DEMTTC30	3	2	3/0-6STR.	1.89	1.68	1.86	3/16	6
DEMTTC350	3	2	250MCM-10 STR.	2.03	2.63	2.2	5/16	25



Air Vent Surface Mounted with Screw Fitting.

Product Description : Ventilators with washable filters compatible with panel fans.

Material: ABS

Color: Grey (Customized color available)

Seal gasket: Sponge EVA.



Product Code	Sizes	A	B	C	D	E	F	Number of Lovures	Fan Compatibility	Packing
DYEAV-04	90x90	90	90	71	71	N/A	17	9	3 Inches	100 Nos.
DYEAV-01	130x130	130	130	105	105	96	22	14	4 Inches	100 Nos
DYEAV-02	184x184	184	184	155	155	N/A	24	15	6 Inches	100 Nos
DYEAV-03	238x238	238	238	185	185	213x213	35	19	8 Inches	50 Nos

Air Vent Flush Mounted with snap fit

Product Description : Ventilators with washable filters.

Material: ABS

Color: Grey (customized colors available)

Seal gasket: Sponge EVA.



Product Code	Sizes	A	B	E	F	Number of Lovures	Cut out size		Packing
							C	D	
DYEAV-01S	147x147	147	147	23.5	14.5	15	122.5	122.5	100 Nos
DYEAV-02S	203x203	203	203	31	19	16	176	176	50 Nos
DYEAV-03S	255x255	255	255	31	19	19	223	223	50 Nos
DYEAV-04S	325x325	325	325	32	19	25	292	292	25 Nos



Air Breather



Product Code: YEPFG
Material: ABS
Color: Grey RAL 7035
Snap: Fit provided for additional screw fitting

Document Holder

Product Code: YEPFG-001
Material: ABS
Color: Grey RAL 7035
Snap: Fit provided for additional screw fitting

Product Code: DEPGF-01

A5 SIZE

L = 190
W = 20
H = 175



Product Code: DEPGF-01

A5 SIZE

L = 276
W = 38.5
H = 232



Product Code: DEPGF-03

A5 SIZE

L = 282
W = 17.5
H = 272



Product Code: DEPGF-01



DIVYA INTERNATIONAL
MERCHANT EXPORTER



Terminal Base
Product Code:- DEEB-01
Material :- Backalite

Single Way Earth Bar
Product Code:-DEEB-02
Current Rating 32 Amps.
Material :- Base-Backalite.
Terminal-M.S zinc plated.

Three Way Earth Bar
Product Code:-DEEB-03
Current Rating 100Amps.
Material :- Base-Backalite.
Terminal-Copper.

Equipotential Earth Bonding Bar
14 Way- 63 Amps.



Product Code:- DEEPB-01

Mains Power Connector. 40Amps. 450V



Product Code:- DEMPC-01

Tconnector 7x2 mm
Product Code:- DECN-07
Material :- Housing Polyamide.
Terminal Bar Brass.
Connector M.S.



PBT Insulated Spacers.

Product Type : CYLINDRICAL MALE FEMALE WITH DIVYACENTRE

Material: PBT 30% GF YE Certified V0

Color: Grey Ral 7035 (Light Grey)

Threading Inserts: Brass Tin plated or M.S.Tin Plated.

M3 SERIES IN CIRCYEAR WITH HEXAGONAL CENTRE

Product Code	M	ØD	J	J2 Tol.+0.2	J2 Tol.+0.2
DYM3CH-0515	3	6.8	15	7	6



M4 SERIES IN CIRCYEAR WITH HEXAGONAL CENTRE

Product Code	M	ØD	J	J2 Tol.+0.2	J2 Tol.+0.2
DYEM4CH-015	4	10	15	7	6
DYEM4CH-020	4	10	20	8	7
DYEM6CH-0123	6	14.5	123	8	7



PBT Insulated Spacers.

Product Type : DIVYA MODEL MALE FEMALE.

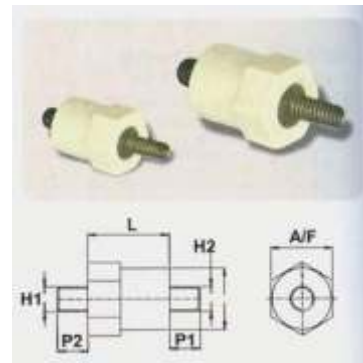
Material: PBT 30% GF YE Certified V0

Color: Grey Ral 7035 (Light Grey)

Threading Inserts: Brass Tin plated or M.S.Tin Plated.

M6 SERIES IN CIRCYEAR WITH HEXAGONAL CENTRE

Product Code	M	A/F	J	J2 Tol.+0.2	J2 Tol.+0.2
DYEM6H-0515	6	13	30	8	7

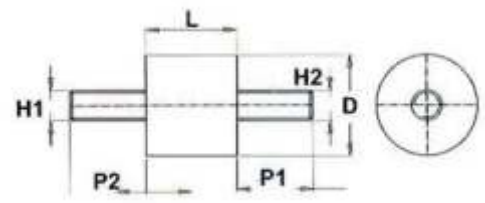


DMC Spacers Cylindrical Male-Male

Material : DMC ROYS & REACH COMPLIANT.

Color : White

Product Code	L (mm)	Thread H1	Thread H2	Dia. D	P1 (mm)	P2 (mm)
DYECMM-03	10	M3	M3	10	10	9.5





DIVYA Make Terminal Bases Suitable For Fixing of Neutral Links and Terminal Connectors



Terminal Base- Hight14mm
Product Code:- DEYELB-01
Material:-Polyamide



Terminal Base -19mm
Product Code:- DEYELB-02
Material:-DMC/Backalite/Polyamide



Terminal Base
Product Code:- DEYELB-03
Material :- DMC/Backalite



Din Rail Mounted Terminal Base
Product Code:- DEYELB-04
Material:-PP FR



Din Rail Mounted Terminal Base
Product Code:- DEYELB-05
MaterialPP FR



C- Channel Base
Product Code:-DEYELB-06
MaterialABS



Terminal Base
Product Code:- DEYELBN-04
LW = 80x15mm
Suitable for 15x70 mm Terminal
Material:-Polyamide



Terminal Base
Product Code:-DEYELBN-05
LW=25x15mm.
Suitable for 15 mm Width Open
Length Terminal
MaterialPolyamide



DC Tape Clip
For bare & Coated copper tape
size. 25x3 & 30x3.5
Material:- Polyamide
Product Code:- DEDTC-01
Product Code:- DEDTC-02



Line Tap

Product Code: YELT-01

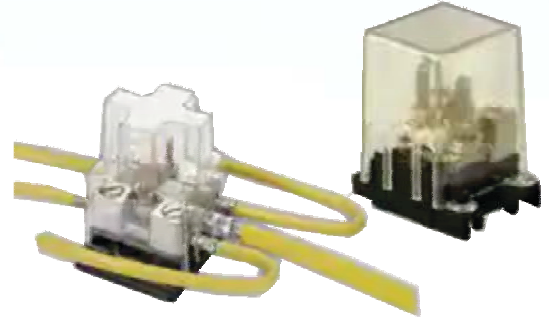
Material: Mousing Base - PC/Polyamide.

Cover- Polycarbonate.

Brass Parts Drop Forged Zinc plated.

Connector screws:- Brass Zinc plated.

Product Code	Item Description	Current Rating	Std. Packing
DLT95xZW	95 Sq.mmx2way	150 Amps.	25 Nos.
DLT95x3W	95 Sq.mmx4way	150 Amps.	25 Nos.
DLT150x2W	150 Sq.mmx2way	250 Amps.	25 Nos.
DLT150x4W	150 Sq.mmx4way	250 Amps.	25 Nos.
DLT250x2W	240 Sq.mmx2way	600 Amps.	25 Nos.
DLT240x4W	240 Sq.mmx4way	600 Amps	25 Nos.



Line Tap

Product Code: DELT-03

Material: Housing Base - PC/Polyamide.

Cover- Polycarbonate.

Brass Parts Drop Forged Zinc plated..

Screws Connector Screws Brass Zinc plated.

Current Rating:-150 Amps.



Branching Terminal.

Product Code:-DEBI-0100

Material: Housing Base: - ABS, Cover-Polycarbonate.

Connector Block: - Brass Grade CZ121Pb4-Cu (56.5%-58.5%),
Pb(3.5%-4.5%).

Connector Plating:- Zinc Plated.

Connection:- 2 incoming and 3 out going per connector

Screws: - M.S.Yellow passivation



Neutral Link & Neutral Break.

Product Code: DEYEL/B-001

Material: Housing Base - Polyamide 30% GF

Conductor Strips - EC Grade copper Nickel Plated.

Nut Bolts - M.S.Yellow passivation

Product Code	Item Description	Cu Conductor Size. Thick x Width	Std. Packing
DYEL-01	60 Amps Neutral Link	3x20 mm	100 Nos.
DYEL-02	100 Amps Neutral Link	5x20 mm	100 Nos.
DYEL-03	100 Amps Neutral Link Break	3x20 mm	100 Nos.
DYEL-04	150 Amps Neutral Link Break	5x20 mm	100 Nos.
DYEL-05	200 Amps Neutral Link Break	5x25.4 mm	100 Nos.
DYEL-06	250 Amps Neutral Link Break	6.3x25.4mm	100 Nos.





Plastic Dust Protection Cap.

Product Code: DE DC-01

Material:- Virgin LDYE

Coolor: Red

Plastic Dust Caps are mainly used In Hydraulic and Pneumatic Industry.



		Size Male/Female		
MM		BSP	UNF	NPT
M8X10	M22X1.5X35	1/8	7/16	1/8
M10X1	M24X1.5	1/4	1/2	1/4
M10X1.5	M26X1.5	3/8	9/16	3/8
M12X1	M30X1.5	1/2	3/4	1/2
M12X1.5	M30X2	5/8	7/8	3/4
M14X1.5	M35X1.5	3/4	11/16	1
M16X1.5	M36X1.5	1	15/16	1 1/4
M18X1.5	M36X2	1 1/4	-	1 1/2
M20X1.5	M45X2	1 1/2	-	-
M22X1.5	M52X2	2	-	-

Insulated Comb Bus Bar.

Product Code: DEICB-001

Material :- Conductor Cu. Insulation-PVC (ROYS)

Colour :- Light Grey

Sizes Available: Single Pole, 2 Pole, 3 Pole, 4 Pole. Pin & Fork Type.



Pin Type



Fork Type

Connector For Insulated ABC Cable.

Product Code: DEIPC-01

Material Conductor Cu. Body-Polyamide 66.

Colour :- Black

Main line:- 25-95, Branch line- 2.5-25

Max. Current: -160 Amps.

Single Shear Bolt.





EARTHING EQUIPMENTS | BONDS & CLAMPS

EARTH BOSS

The earth boss is used to provide an earth connection point on a steel structure. It is welded onto steel vessels, tanks and other structures. Manufactured from High Tensile mild steel, zinc plated to avoid corrosion & supplied with stud & bolt made of steel with spring & plain washer.



Length mm	Dia mm	Thread Dia.	P - Code
25	20	3/8"	DYE2020
25	25	3/8"	DYE2525
38	30	3/8"	DYE3535
40	40	1/2"	DYE4040
50	50	1/2"	DYE5050

EARTH POINTS

Provides an excellent earth point when connected to continuous reinforcing bars

MATERIAL : HIGH GRADE COPPER ALLOY
BOLT : STAINLESS STEEL - SS304

Single Point

Size	Hole	P- Code
80	1 x M10	DYE001
80	2 x M10	DYE002
80	4 x M10	DYE004

NOTE: STEM DIAMETER = 10.7 mm (70mm²)

Two Point

Four Point



With Prewelded Tail



Multiple Points

Multiple points are made from Copper or Copper Alloy and are available on different designs. The taper spike is made of Electrolytic Grade Copper.

Thread Dis.

5/8" or 16mm
3/4"



Copper - Knife



Copper



Brass



Copper - Knife

Air Terminal Base-Tape

These are used for fixing air rods. Air Terminal Bases are made from Gunmetal, which are strong enough to last long.

Rod Dia. mm	Thread Dia	Max. Tape Conductor	Rod Material	CAT NO.
14.2	5/8"	30 x 6 mm	Copper	DYETC-1501
15	5/8" or 16mm	30 x 6 mm	Copper	DYETC-1502
16	5/8" or 16mm	30 x 6 mm	Copper	DYETC-1503
17.2	3/4" or 19mm	30 x 6 mm	Copper	DYETC-1504
14.2	5/8"	30 x 6 mm	Aluminium	DYETC-1505
15	5/8" or 16mm	30 x 6 mm	Aluminium	DYETC-1506
16	5/8" or 16mm	30 x 6 mm	Aluminium	DYETC-1507
17.2	3/4" or 19mm	30 x 6 mm	Aluminium	DYETC-1508



Flat Saddle - T

These Flat Saddles are made of gunmetal and are used for supporting tape pointed or blunt air rods with copper tapes on flat surfaces.

Rod Dia. mm	Thread Dia	Max. Tape Conductor	CAT NO.
15 mm	M 16	30x6	DYEFS-1511
17.2 mm	3/4"	30x6	DYEFS-1512



Ridge Saddle

Ridge Saddles are manufactured from Gunmetal and are used for supporting air terminals on the roof Ridges.

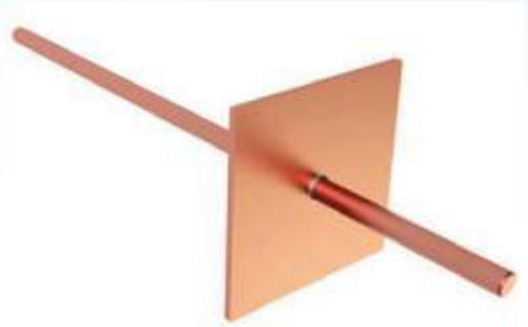
Rod Dia. mm	Thread Dia	Max. Tape Conductor	CAT NO.
15 mm	M 16	30x6	DYERS-1521
17.2 mm	3/4"	30x6	DYERS-1522





Puddle Flange

Puddle Flanges, made of Copper or Aluminium, are used where the roof termination or down conductors have to pass through water proof covering roof etc.



Conductor	L	W	CAT NO.
Copper	600	150	DYEPF-1221
Aluminium	600	150	DYEPF-1222

Earth Plate

Earth plates are used where earth rods are unsuitable. DIVYA Earth plates are manufactured from electrolytic grade solid copper sheet. Earth plates made of steel, bonded with electrolytic copper, are also available

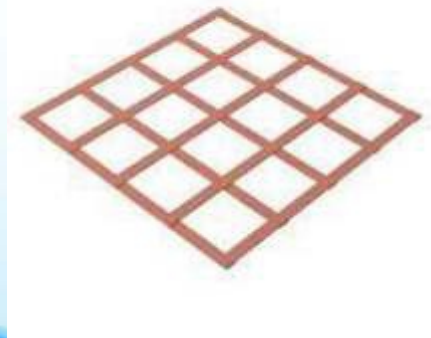
Plate size mm	CAT NO.		CAT NO.
500x500x3	DYECEP-1231	500x500x3	DYBEP-1241
500x500x5	DYECEP-1232	500x500x5	DYBEP-1242
600x600x3	DYECEP-1233	600x600x3	DYBEP-1243
600x600x5	DYECEP-1234	600x600x5	DYBEP-1244
900x900x3	DYECEP-1235	900x900x3	DYBEP-1245
900x900x5	DYECEP-1236	900x900x5	DYBEP-1246
1000x1000x3	DYECEP-1237	1000x1000x3	DYBEP-1247
1000x1000x5	DYECEP-1238	1000x1000x5	DYBEP-1248



Copper Earth Lattice

DIVYA Earth Lattice are usable as an alternative to Earth plates, Which are made of electrolytic grade

Plate Size mm	Copper Tape Size mm	No. of strips	CAT NO.
500 x 500	25x2	10	DYAEL-1251
500 x 500	25x3	10	DYAEL-1252
500 x 500	25x5	10	DYAEL-1253
600 x 600	25x2	10	DYAEL-1254
600 x 600	25x3	10	DYAEL-1255
600 x 600	25x5	10	DYAEL-1256
900 X 900	25x2	10	DYAEL-1257
900 x 900	25x3	10	DYAEL-1258
900 X 900	25x5	10	DYAEL-1259
1000x1000	25x2	12	DYAEL-1260
1000x1000	25x3	12	DYAEL-1261
1000x1000	25x5	12	DYAEL-1262





GROUND CLAMPS

WITH THREADED HUBS FOR CONDUIT TYPE

Size		Product Code
For 1/2" HUB	1/2" to 1"	DYGCH-721
	1 1/4" to 2"	DYGCH-722
	2 1/2" to 4"	DYGCH-723
For 3/4" HUB	5" to 6"	DYGCH-724
	1/2 to 1"	DYGCH-721 A
	1 1/4" to 2"	DYGCH-722 A
	2 1/2" to 4"	DYGCH-723 A
For 1" HUB	5" to 6"	DYGCH-724 A
	1/2" to 1"	DYGCH-721 B
	1 1/4" to 2"	DYGCH-722 B
	2 1/2" to 4"	DYGCH-723 B
	5" to 6"	DYGCH-724 V



BRASS GROUND CLAMPS

FOR DIRECT BURIAL STAINLESS SCREWS

Fits 8 STR to 4/0 STR AWG

Size	Product Code
1/2" to 1"	DYGC - 725
1/2" to 1"	DYGC - 726

3/8 to 1" Rebar 1/2" to 1" Water Pipe, Copperwater Pipe and Ground Rod





DIVYA TWO-BOLT CONNECTORS

Ringed, contoured spacer swings easily over conductor.

TYPE 2BW — TWO-BOLT CONNECTORS WITHOUT SPACER

- For use on copper conductors only
- Single-piece construction spacer
- Castings and bolts made of high-strength copper alloy
- Spacer made of ductile, high-conductivity copper alloy
- YE under process



CAT. NO.	CONDUCTOR RANGE (AWG OR KCMIL)				CONDUCTOR DIAMETER				BOLT HEAD	DIMENSIONS (IN)		
	Main		Tap		A		B			L	H	D
	MAX.	MIN.	MAX.	MIN.	MAX.	MIN.	MAX.	MIN.				
DYEB10W	1/0 Str.	2 Str.	1/0 Str.	10 Sol.	.373	.292	.373	.102	1/2	15/16	15/8	5/16
DYEB20W	2/0 Str.	2 Str.	2/0 Str.	8 Sol.	.419	.292	.419	.128	1/2	15/16	15/8	5/16
DYEB40W	4/0 Str.	1/0 Str.	4/0 Str.	6 Sol.	.528	.368	.528	.162	9/16	123/32	21/8	3/8
DYEB350W	350 kcmil	4/0 Str.	350 kcmil	4 Sol.	.681	.522	.681	.204	34	21/8	21/2	1/2
DYEB500W	500 kcmil	350 kcmil	500 kcmil	4 Sol.	.813	.679	.813	.204	34	21/4	23/4	1/2
DYEB800W	800 kcmii	600 kcmil	800 kcmS	2 Sol.	1.031	.891	1.031	.258	34	21/2	31/4	1/2
DYEB1000W	1000 kcmil	750 kcmil	1000 kcmil	2 Sol.	1.152	.997	1.152	.258	15/16	231/32	33/4	5/8

For use on copper, aluminum and ACSR conductors.

TYPE DIVYA 2BPW — TWO-BOLT CONNECTOR WITH SPACER



CAT. NO.	CONDUCTOR RANGE (AWG OR KCMIL)				CONDUCTOR DIAMETER				BOLT HEAD	DIMENSIONS (IN)		
	Main		Tap		A		B			L	H	D
	MAX	MIN.	MAX	MIN.	MAX.	MIN.	MAX.	MIN.				
DYEB10PW	1/0-2	1/0-6	1/0 Str.-2 Str.	1/0 Str.-2 Sol.	0.398	0.292	0.398	0.102	1/2	15/16	15/8	5/16
DYEB20PW	2/0-2	2/0-6	2/0 Str.-2 Str.	1/0 Str.-2 Sol.	0.447	0.292	0.447	0.128	1/2	15/16	15/8	5/16
DYEB40PW	4/0—1/0	4/0-6	4/0 Str.-1/0 Str.	4/0 Str.-1/0 Sol.	0.563	0.368	0.563	0.162	9/16	123/32	21/8	3/8
DYEB350PW	350-4/0	350-4	350-4/0	350-4 Sol.	0.680	0.522	0.680	0.204	34	21/8	21/2	1/2
DYEB500PW	397.5-336.4	397.5-4	500-350	500-4 Sol.	0.813	0.679	0.813	0.204	34	21/4	23/4	1/2
DYEB800PW	666.6-397.5	666.6-2	800-600	800-2 Sol.	1.031	0.891	1.031	0.258	34	21/2	31/4	1/2
DYEB1000PW	900-666.6	900-2	1000-750	1000-2 Sol.	1.162	0.997	1.162	0.258	15/16	231/32	33/4	5/8



Bonds & Clamps

Watermain Pipe Bond

These types of bond are used for bonding metallic pipes into the earthing or lighting protection system. Made of Gunmetal, DIVYA Watermain pipe bond offers long life.

Tape width mm	CAT NO.
25	DYEYE-1301



B Bond

Made of Gunmetal and these bonds are used for bonding tape to metal structure.

Tape width mm	Bolt Size	CAT NO.
25	M 10	DYEB-1311
38	M 10	DYEB-1312



RWP Bond

Rainwater pipe Bonds, made of gunmetal, are used for bonding tapes to rainwater pipes.

Tape width mm	Bolt Size	CAT NO.
25	M 10	DYERC-1321
38	M 10	DYERC-1322



Tower Earth Clamp Double Plate

Tower Earth Bonds are manufactured of Gunmetal and are designed for bonding copper conductor to metal surfaces.

Conductor size mm ²	Channel Thickness mm	Bolt Size	CAT NO.
16-70	10	M 10	DYECD-1331
70-120	10	M 12	DYECD-1332





Tower Earth Clamp Single Plate

Conductor size mm ²	Channel Thickness mm	Bolt Size	CAT NO.
8	10	M 10	DYECS1341

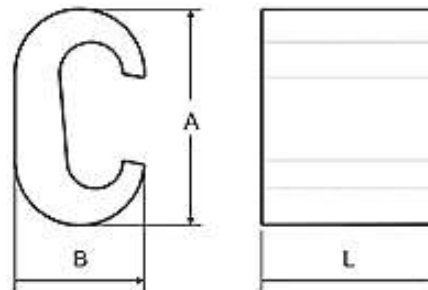


Copper 'C' Type Crimp Connectors

MATERIAL : E-Copper

BOLT : Electro Tinned / Copper

Cable mm ²	A	B	C	CAT NO.
C6-C6	9	9.8	6.4	DYCC-6-6
C10-C10	12	12.6	8.4	DYCC-10-10
C16-C16	17	19.4	12.0	DYCC-16-16
C25-C-25	17	21.4	13.0	DYCC-25-25
C35-C35	21	26.6	15.6	DYCC-35-35
C50-C50	26	38.0	21.0	DYCC-50-50
C70-C70	28	34.0	21.0	DYCC-70-70
C95-C95	29	41.0	26.0	DYCC-95-95
C120-C120	30	45.0	28.0	DYCC-120-120
C150-C150	30	48.0	28.0	DYCC-150-150
C185-C185	32	52.0	32.0	DYCC-185-185
C240-C240	32	55.0	38.0	DYCC-240-240



B

C

A

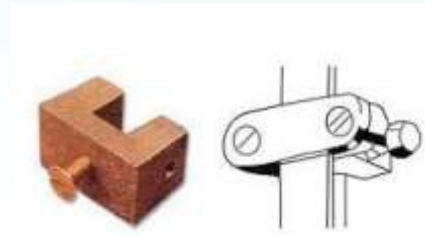


Tape Fixing

Glazing Bar Holdfast

Made of gunmetal. these hold fasts can be used for attaching DC dips etc. Onto a narrow projection or extension such as angle Iron.

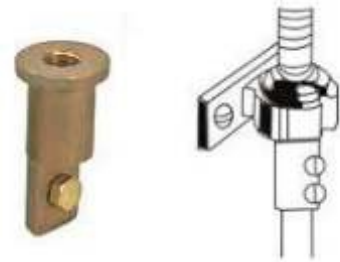
Conductor Material	Maximum Glazing Bar Width	CAT NO.
Copper	12 mm	DYEBH-1531



Rod to Tape Coupling

Used in conjunction with the air rod brackets to connect the air rod and tapes. The coupling is screwed into the air rod and the connects to the tape with the bolts.

Rod Dia. mm	Thread Dia	Rod Material	CAT NO.
14.2	5/8"	Copper	DYETC-1541
17.2	3/4"	Copper	DYETC-1542
14.2	5/8"	Aluminium	DYETC-1543
17.2	3/4"	Aluminium	DYETC-1544



Rod Brackets

These are manufactured from Gunmetal or Aluminium and are being used for providing projection from the building wall or face. Rod brackets are mainly used with rod to tape coupling where it is not possible to fit a saddle on the roof and the air rod has to be fitted on the side of the building

Rod Dia	Rod Material	CAT NO.
14.2	Copper	DYERB-1551
17.2	Copper	DYERB-1552
14.2	Aluminium	DYERB-1553
17.2	Aluminium	DYERB-1554



Tape Clip

Tape clips are used to hold the tape to the structure and are being manufactured in Copper and Aluminium. These are fixed to the surface by using screws.

Conductor Size mm	Material	CAT NO.
25x3	Copper	DYETC-1561
38x3	Copper	DYETC-1562
50x3	Copper	DYETC-1563
25x3	Aluminium	DYETC-1564
38x3	Aluminium	DYETC-1565
50x3	Aluminium	DYETC-1566
25x3	Brass	DYETC-1567
38x3	Brass	DYETC-1568
50x3	Brass	DYETC-1569





D C Tape Clip

These are used to secure copper tape to the building Made in Gunmetal. the clip has a hole in the base for fixing to building with an appropriate screw and plug.

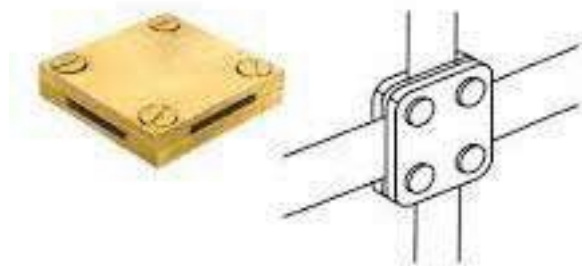
Conductor Size mm	CAT NO.
25x3	DYETC-2531
25x6	DYETC-2532
38x3	DYETC-2533
38x6	DYETC-2534
50x3	DYETC-2535
50x6	DYETC-2536



Square Tape Clamp

Square Tape / Junction clamps are made from gunmetal or aluminum and are used for crossing over tapes, or for T joints or for making straight through joints in a network of tapes.

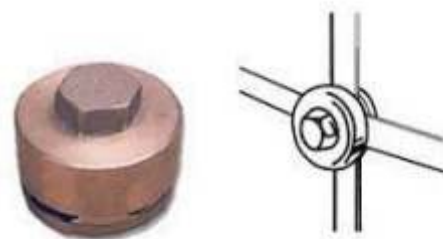
Conductor Size mm	CAT NO.
25x3	DYETC-1581
25x6	DYETC-1582
38x3	DYETC-1583
38x6	DYETC-1584
50x3	DYETC-1585
50x6	DYETC-1586



Screw Down Test Clamp

These clamps, made of gunmetal, provide easy access to copper tapes / conductors for inspection or testing.

Tape Type	D	H	CAT NO.
25 x 3	61	61	DYEDTC-1591



Obiong Test Clamp / Junction Clamp

Manufactured from Gunmetal, these clamps are used for straight through connection of tapes, being joints, these can also effectively be used as testing points for the network by disconnecting the joints.

Conductor Size mm	CAT NO.
25x3	DYETC-2601
38x6	DYETC-2602
50x3	DYETC-2603

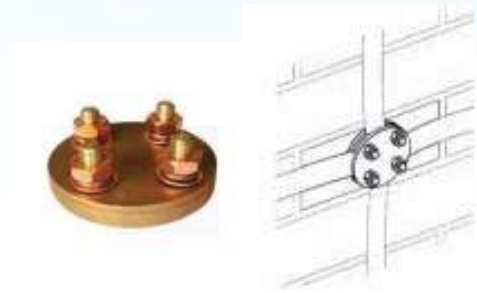




Plate Test Clamp

These plate type test clamps, made of gunmetal or aluminium can be used as T-Jotat or straight through joint of tapes Being joints, these can also effectively be used as testing points for the network by disconnecting the joints. Plate test clamps can also be used for heavy duty upto 50 x 6 tape connections.

Conductor Size mm	CAT NO.
25X3	DYETC-2611



Earth Bonding Point

For providing earthing continuity and a multiple bonding point, and are available with one, two and four hole connection. These are made of gunmetal.

Bonding Point

No. of Holes	L	W	CAT NO.
1	77	49	DYEBP-2621
2	71	69	DYEBP-2622
4	80	63	DYEBP-2623



Slate Hold Fast

A DC Clip is riveted to the Tape
Tail and the clamp can be used for fixing tapes vertically or horizontally on slated roofs

Conductor Size mm	CAT NO.
25x3	DYEHF-2641
25x6	DYEHF-2642
38x3	DYEHF-2643
38x6	DYEHF-2644
50x3	DYEHF-2645
50x6	DYEHF-2646





Back Plate Holdfast Stem

Used with an appropriate DC Clip. Hits gunmetal holdfast is used where the tape is to be secured away from the face of wall

Conductor Material	CAT NO.
Copper	DYEHS-2651



Bi-Metallic Connector - Tape to Tape

These connectors made of stainless steel / copper and Aluminium, are meant to be used where Aluminium lighting protection system and copper earthing network. An inhibiting compound is normally recommended to use with this assembly.

Tape Size mm	CAT NO.
25x3 - Cu to 25 x 3 Al	DYEMCT-2661



Air Terminal Base - Cable

These gunmetal air terminal bases are used for mounting of air rods either horizontally or vertically.

Position	Dia	Thread Dia	CAT NO.
Vertical	8 mm	10 mm	DYETBV-2671
Horizontal	8 mm	10 mm	DYETBV-2672



Flat Saddle - C

Flat saddles are made of gunmetal and are used for supporting taper pointed or blunt air rods with circular conductors on flat surfaces.

Position	Dia	Thread Dia	CAT NO.
50	15	16	DYESC-2681
70	15	16	DYESC-2682
95	15	16	DYESC-2683



Cable to Tape Joint

These gunmetal connectors are suitable for crossing over tapes and cable, to make straight through joints or T connectors in a continuous network.

Material	Conductor	Tape	W	H	CAT NO.
Copper	8 dia, or 50 sq. mm	25 x 3	52	14	DYETJ-1691





Bi-Metallic Connector - Cable to Cable

These connectors made of copper and Aluminium, are meant to be used where Aluminium lighting protection system and copper earthing network. An inhibiting compound is normally recommended to use with this assembly.



Conductor size mm	CAT NO.
8 mm cu to 8 mm Al	DYEMCC-2701

Lightning Protection

Junction Clamp

These clamps are suitable for forming straight through joints or for disconnection and test purposes. Manufactured from Gunmetal.



Conductor size mm ²	CAT NO.
35	DYEC-2721
50	DYEC-2722
70-95	DYEC-2723

Test Clamp

These clamps are suitable for end to end joints, and are manufactured from Gunmetal



Conductor Dia	CAT NO.
35	DYEC-2721
50	DYEC-2722
70-95	DYEC-2723



Heavy Duty Conductor Saddle

Manufactured from gunmetal, these are being used for either as a support air rod or as a DC dip for bare or PVC covered copper rods.

Conductor size mm ²	CAT NO.
25-35	DYEDS-2751
50-70	DYEDS-2752
95-120	DYEDS-2753
150-185	DYEDS-2754



Tee Clamp

These are Used for forming tee joints. Made from gunmetal.

Conductor size mm ²	CAT NO.
8	DYETCT-2771



Jointing Clamp

Made from Gunmetal.

These are used for forming straight through joints

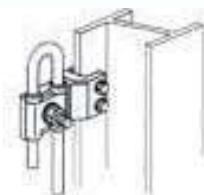
Conductor size mm ²	CAT NO.
8	DYETCJ-2781



Metal Work Bond

Made from Gunmetal. Used for connecting to all types of metal structures up to 13 mm thickness.

Conductor size mm ²	CAT NO.
8	DYEWB-2791





Straight Setscrew Type Cable Socket

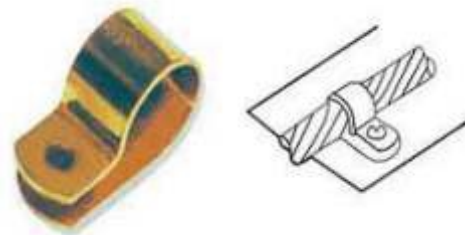
Made from Gunmetal. Used for bonding copper and AkiminHjm conductors to steel work.



Conductor size mm ²	CAT NO.
8	DYESTS-2801

One Hole Clip

These are used for fixing cable conductors and are manufactured from high quality copper.



Conductor size mm ²	CAT NO.
25	DYEYC-2811
35	DYEYC-2812
50	DYEYC-2813
70	DYEYC-2814
95	DYEYC-2815
120	DYEYC-2816
150	DYEYC-2817
185	DYEYC-2818
240	DYEYC-2819
300	DYEYC-2820

Square Conductor Clamp

Made from Gunmetal. These are meant to be used for 4 way connectors, straight through or T joints for round conductors.



Conductor size mm ²	CAT NO.
35	DEYCC-1821
50	DEYCC-1822
70-95	DEYCC-1823

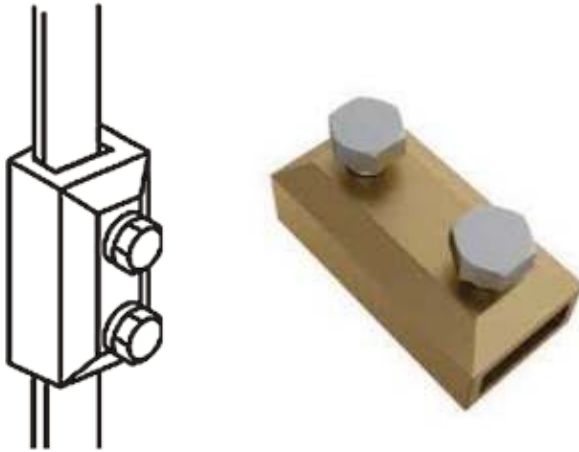


LIGHTNING PROTECTION SYSTEM / TYPE FIXINGS

OBLONG TEST CLAMP

Suitable for straight through tape joint

MATERIAL : HIGH GRADE COPPER ALLOY
BOLT : STAINLESS STEEL - SS304

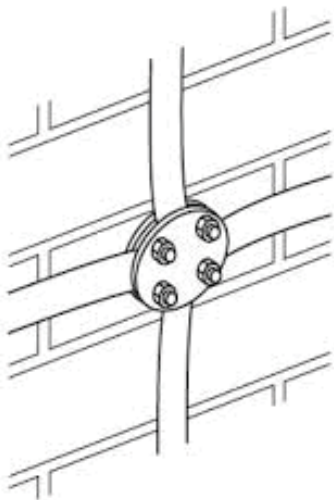


Tape Size mm	P-CODE
20x3	DYEC0203
25x3	DYEC0253
30x6	DYEC0306
50x6	DYEC0506

PLATE TEST CLAMP

A Disconnecting joint between the down conductor system & earthing system can be formed using this clamp. The clamp can be used as a 4-way clamp.

MATERIAL : HIGH GRADE COPPER ALLOY
BOLT : STAINLESS STEEL - SS304



Tape Size mm	P-CODE
25x3	DYETC253
30x6	DYETC254
50x6	DYETC255



Self Locking Nylon Cable Ties.

Material: **Nylon 66**

Operating Temperature: **Static +120° C -10° C.**

Colors: **Natural, Black, Red, Customized Colors**

Manufactured & Tested as per international standard **“IEC 62275 FOR CABLE MANAGEMENT SYSTEM”**

Product Code	L		Bundle Dia MM	Min Loop Tensile Strength		Packing per packet 100 Nos.	Min Packing Per cartoon pkt.
	IN	MM		lbs	Kgs		
DYECT-65X2.0	2.5	65	2-10	18	8	100	1000
DYECT-80X2.0	3.2	80	2-18	18	8	100	800
DYECT-100X2.0	4	100	2-24	18	8	100	650
DYECT-100X2.5	4	100	2-24	22	10	100	600
DYECT-150X2.5	6	150	2-35	22	10	100	350
DYECT-200X2.5	8	200	3-50	22	10	100	200
DYECT-150X3.6	6	150	2-35	44	20	100	250
DYECT-200X3.6	8	200	3-50	44	20	100	200
DYECT-250X3.6	10	250	3-65	44	20	100	170
DYECT-300X3.6	12	300	5-75	44	20	100	140
DYECT-200X4.8	8	200	3-50	50	23	100	150
DYECT-250X4.8	10	250	3-65	50	23	100	150
DYECT-300X4.8	12	300	5-75	50	23	100	120
DYECT-368X4.8	14.5	368	5-100	50	23	100	100
DYECT-400X4.8	16	400	5-110	50	23	100	100
DYECT-450X4.8	18	450	5-130	50	23	100	90
DYECT-300X7.6	12	300	5-75	75	35	100	80
DYECT-450X7.6	18	450	5-130	75	35	100	60
DYECT-500X7.6	20	500	6-150	75	35	100	35
DYECT-550X7.0	22	550	6-160	75	35	100	35
DYECT-500X9	26	650	6-180	90	60	100	30
DYECT-750X9	30	750	6-165	90	60	100	10
DYECT-920X9	36	920	6-270	90	60	100	10
DYECT-1220X9.0	48	1220	6-305	90	60	100	10
Releasable Cable Tie							
DYECT-200X7.4	8	300	3-50	75	35	100	100



Prices for UV weather proof cable ties will be 25% additional.

Prices for colored cable ties will be 15% additional.

Tag ties-Universal tags & Security seals.

Tag Ties	L	
	IN	MM
100 x 2.5 Nylon	4	100
Universal Tag		
65x25 mm PP	2.5	60
65x25 mm Nylon	2.5	60
Security Seals		
200 x 6.9 Nylon	8	200
250 x 4.6 Nylon	10	250
300 x 7.4 Nylon	12	300
350 x 6.9 Nylon	14	350

Security seals available with barcodes, Logos and Tamper proof Numbering in different colors.





NYLON FLEXIBLE CABLE GLANDS IN METRIC & PG STANDARDS

Technical Specification:

Body : Pofyamide 6
Sealing: EPDM
Temp : Static -30c + 12c
Dynamic -10c + 80c
Protection Class - I.P 65
Color : Grey, White & Black

PG Threaded cable glands

Sr. No.	Threading type	Cable Range (in mm)	Part No.	A	B		C	D	ø E	Packing
					Min	Max				
1.	DE-7	2.5 - 6.5	DE-7	15	32	20.75	7.5	12	12.4	100
2.	DE-9	3.5-8	DE-9	18	35.75	30.5	8.25	16.25	15.2	100
3.	DE-11	4-10	DE-11	22	38.5	32.25	8.25	17	18.3	100
4.	DE-13.5	5-12	DE-13.5	26	37.75	32.25	9	17.5	20	100
5.	DE-16	9-14	DE-16	27	42.5	37	10	18.75	22.5	100
6.	DE-21	13-18	DE-21	33	49.5	42	11	22	28.5	100
7.	DE-29	14-25	DE-29	42	54.5	43	11	27.5	36.70	50
8.	DE-36	19-32	DE-36	55	66	55	13	31	47	5
9.	DE-42	28-40	DE-42	59	70	66	18	33	50	5
10.	DE-48	32-44	DE-48	65	72	67	21	38	60	5
11.	DE-63	40-50	DE-63	75	82	95	29	43	70	5
12.	1/2"-NPT	7-12	DE-NPT	24	32	38.5	14	18	20.6	100



CE Certified MM Threaded Nylon Flexible Cable Glands.

Manufactured & Tested as per international standard "BSEN 50262 :1999 cable glands for electrical installation"

Sr. No.	Threading type	Cable Range (in mm)	Part No.	A	B		C	D	ø E	Packing
					Min	Max				
1.	M 12x1.5	2.5 - 6.5	DCM12X1.5	15	32	28	7.5	7.5	12.5	25
2.	M 16x1.5	3.5-8	DCM16X1.5	18	36	30.5	8.25	16.25	16.5	25
3.	M 20x1.5	7-12	DCM20X1.5	23	38.5	32	8.25	17	20.5	25
4.	M 25x1.5	9-14	DCM25X1.5	29	38	32	9	17.5	25.5	25
5.	M 32x1.5	13-18	DCM32X1.5	37	38	32	9	17.5	32.5	25
6.	M 40x1.5	14-25	DCM40X1.5	45	27	55	43	11	41	10
7.	M 50x1.5	22-32	DCM50X1.5	54	33	66	55	13	51	5
8.	M 20x1.5	7-12	DCM50X1.5 L	24	37	43	13	17	20.5	25
9.	M 25x1.5	9-14	DCM25X1.5 L	32.5	42	50	16	22	25.5	25
10.	M 20x1.5	7-12	DCM20X1.5 TC	23	32	38.5	8.25	17	20.5	25
11.	M 25x1.5	13-18	DCM25X1.5 BC	32.5	42	50	16	22	25.5	25

- YC Cable glands are **CE CERTIFIED** and made of polyamide 6 ideally suited to guarantee optimum conditions for impact resistance and full insulation.
- Effective gripping is provided on tightening of caps, which ensure that complete strain relief is provided to your cables.
- Specially provided groove on internal part of the cap nut acts as a ratchet, which provides self locking and vibration resistant fixing on some glands.
- Easy mounting of cable glands are provided for introducing cables and conductors in to machines.
- Secure and fast connection in various industries ranging from machineries and equipment manufacturers, measuring and control electronics, automation, electrical and robotics.
- Protection class IP-65 liquid and dust tight connection provides total relief to your cable.



Spiral Cable Glands In METRIC & YE Threads.

Cat No : YESC-01

Color: Grey/Black



Sr. No.	Part No.	A	B	A / F	Packing
1.	DESC - 7	47	7.5	15	25 Nos.
2.	DESC - 9	56	8.25	18.75	25 Nos.
3.	DESC - 11	67	8.25	21.5	25 Nos.
4.	DESC - 13.5	74	9	23.75	25 Nos.
5.	DESC - 16	87	10	26.75	25 Nos.
6.	DESC - 21	105	11	32.5	25 Nos.
7.	DM 12 X 1.5	47	7.5	15	25 Nos.
8.	DM 16 X 1.5	56	8.25	18.75	25 Nos.
9.	DM 20 X 1.5	74	9	23.75	25 Nos.
10.	DM 25X 1.5	87	10	26.75	25 Nos.
11.	DM 32 X 1.5	105	11	32.5	25 Nos.

YESC Cable glands have all features of standard YE Thread Cable Glands with an added cable support to prevent damage and kinks in the cable.

Nylon Straight Cable Glands

Cat No: FC-NSCG-01 Technical Specification:

Body: Polyamide 6

Sealing Washer :PVC

Temp : Static - 20° C +80° C

Dynamic - 10°C +60°C

Protection Class - Open

Color: Black only

Item Contents :- Body, Cap, Nut, PVC Washer.



Sr. No.	Part No.	C		D	Lock Nut E	ø F	Packing
		Min	Max				
1.	DEST-16	35	33	11	5	14	25
2.	DEST-20	37	35	11	5	17.5	25
3.	DEST-25	37.5	35	11	5	24	25
4.	DEST-32	40	37.5	11	5	30	25

Dual Purpose Steel Reinforced Pipe Glands.

Cat No : YEPPG-01

Colour : Grey, Black

Sr. No.	Part No.	Suitable Inner Dia of hose in mm	Standard Packing
1.	SRYE- 9	10	25 Nos.
2.	SRYE -11	10	25 Nos.
3.	SRYE-13.5	15	25 Nos.
4.	SRYE - 16	20	25 Nos.
5.	SRYE - 21	25	25 Nos.
6.	SRYE-29	30	10 Nos.
7.	SRYE - 36	40	5 Nos.
8.	SRYE-42	50	5 Nos.
9.	SRYE -M16x 1.5	10	25 Nos.
10.	SRYE-M20x 1.5	15	25 Nos.
11.	SRYE-M25x 1.5	20	25 Nos.
12.	SRYE -M32x 1.5	25	25 Nos.



Technical Details:

- SRYE glands are specially designed for effective gripping & strain relief for your cables.
- SRYE glands provide liquid & dust tight fitting internally & SRP hose provides effective protection for the cable from external damages.
- SRYE glands are provided with din standad PG threads & mm threads.



Polyamide Toughtened conduit pipes.

Cat No. YENCP

Material Polyamide 6 Fire Retardant V-2

IP RATING : IP 68 with ends properly sealed or In combination with suitable glands Resistant: Most chemicals and alkalies, good weathering properties.

UV stabilized conduits available upon request.

Sifted conduit pipes available on MOQ basis.

Tensile modules : 17300 Kg(f)cm²

Flexural modules : 18400 Kg(f)cm²

Tensile strength : 590 Kg/cm² p

Impact strength : 20 Kg/cm²

Temperature range : -10 C to +90 C

Color: Black (Other colors prices will be 15% additional)



Sr. No.	Part No.	Compatible YE Size	Compatible Metric Size.	Pipe Size in mm		Bending radius	Packing in meters
				ID	OD		
1.	DENCP - 10 ID	DE-7	M 12x1.5	10	13	20	100
2.	DENCP - 12 ID	DE-9	M 19x1S	12	16	30	100
3.	DENCP - 16 ID	DE-13.5	M 20x1.5	16	21	40	50
4.	DENCP - 20 ID	DE-16	M 25x15	20	26	42	50
5.	DENCP - 26 ID	DE-21	M 32x15	26	32	48	50
6.	DENCP - 28 ID	DE-36	M 40x1.5	28	34	55	50
7.	DENCP - 36 ID	DE-42	M 50x1 5	36	42	62	25
8.	DENCP - 47 ID	DE-48	M 63x1.5	47	54	72	25

Quick coupling flexible conduit gland / adaptor suitable for conduit pipes.

Material: Polyamide 6

Color: Black

IP Rating : IP 55

Sr. No.	Part No.	Assembly Threading	Suitable YE conduct pipe part no.	Pipe Size in mm		Packing
				ID	OD	
1.	DEQCP - 12	M 12x1.5	DENCP -10 ID	10	13	25 Nos.
2.	DEQCP - 16	M 16x1.5	DENCP -12 ID	12	16	25 Nos.
3.	DEQCP - 20	M 20x1.5	DENCP -16 ID	16	21	25 Nos.
4.	DEQCP - 25	M 25x1.5	DENCP -20 ID	20	26	25 Nos.
5.	DEQCP - 32	M 32x1.5	DENCP -26 ID	26	32	25 Nos.
6.	DEQCP - 40	M 40x1.5	DENCP -28 ID	28	34	25 Nos.
7.	DEQCP - 50	M 50x1.5	DENCP -36 ID	36	42	10 Nos.
8.	DEQCP - 63	M 63x1.5	DENCP -47 ID	47	54	10 Nos.

Sr. No.	Part No.	Assembly Threading	Suitable YE conduct pipe part no.	Pipe Size in mm		Packing
				ID	OD	
1.	. QCFC-7/10	PG-7	DENCP-10 ID	10	13	25 Nos.
2.	QCFC-9/10	PG-9	DENCP-10 ID	10	13	25 Nos.
3.	QCFC-M12/10	M 12x1.5	DENCP-10 ID	10	13	25 Nos.
4.	QCFC-M16/10	M 16x1.5	DENCP-10 ID	10	13	25 Nos.
5.	QCFC-9/12	PG-9	DENCP-12 ID	12	16	25 Nos.
6.	QCFC-11/12	PG-11	DENCP-12 ID	12	**16	25 Nos.
7.	QCFC-13.5/12	PG-13.5	DENCP-12 ID	12	16	25 Nos.
8.	QCFC-M16/12	M 16x1.5	DENCP-12 ID	12	16	25 Nos.
9.	QCFC-1/4 NPT/12	'A NPT	DENCP-12 ID	12	16	25 Nos.
10.	QCFC-19/12	PG 19	DENCP-12 ID	12	16	25 Nos.
11.	QCFC-11/16	PG-11	DENCP-16 ID	16	21	25 Nos.
12.	QCFC-13.5/16	PG-13.5	DENCP-16 ID	16	21	25 Nos.
13.	QCFC-16/16	PG-16	DENCP-16 ID	16	21	25 Nos.
14.	QCFC-19/16	PG-19	DENCP-16 ID	16	21	25 Nos.
15.	QCFC-M20/16	M 20x1.5	DENCP-16 ID	16	21	25 Nos.
16.	QCFC-M25/16	M 25x1.5	DENCP-16 ID	16	21	25 Nos.
17.	QCFC- 1/2 NPT/16	1/2 NPT	DENCP-16 ID	16	21	25 Nos.
18.	QCFC-16/20	PG-16	DENCP-20 ID	20	26	25 Nos.
19.	QCFC-21/20	PG-21	DENCP-20 ID	20	26	25 Nos.
20.	QCFC-25/20	PG-25	DENCP-20 ID	20	26	25 Nos.
21.	QCFC-M25/20	M 25x1.5	DENCP-20 ID	20	26	25 Nos.
22.	QCFC-19/20	PG-19	DENCP-20 ID	20	26	25 Nos.
23.	QCFC-29/26	PG-29	DENCP-26 ID	26	32	25 Nos.
24.	QCFC-M32/26	M 32x1.5	DENCP-26 ID	26	32	25 Nos.
25.	QCFC-29/28	PG-29	DENCP-28 ID	28	34	25 Nos.
26.	QCFC-M40/28	M 40x1.5	DENCP-28 ID	28	34	25 Nos.
27.	QCFC-36/36	PG-36	DENCP-36 ID	36	42	10 Nos.
28.	QCFC42/36	PG-42	DENCP-36 ID	36	42	10 Nos.
29.	QCFC-M50/36	M 50x1.5	DENCP-36 ID	36	42	10 Nos.
30.	QCFC-48/47	PG-48	DENCP-47 ID	47	54	10 Nos.
31.	QCFC-M63/47	M 63x1.5	DENCP-47 ID	47	54	10 Nos.





Flexible Conduit Pipe Gland Suitable for Flexible Conduit Pipes.

Product No. DE - CP - 01

CP glands are available in mm threads

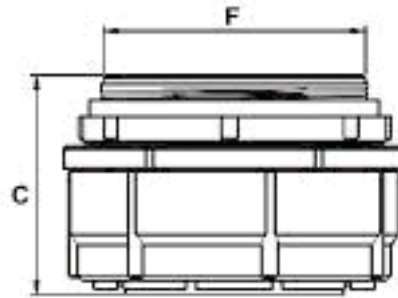
CP glands are manufactured in PPCP material and are crack resistant.

Specially designed teeth for effective gripping and sealing of conduit pipes.

Conduit Pipe glands are ideally suited for use where a number of wires are to be passed through a single panel port or machine part.

Available Black and Grey Colors.

Material: PP. Also Available in ABS.



Sr. No.	Part No.	Compatible YE Size	Compatible Metric Size.	Pipe Size in mm		Bending radius	Packing in meters
				ID	OD		
1.	CP-16	12.00	12	16	30	15.5	25 Nos.
2.	CP-20	15.50	16	20	31	18.5	25 Nos.
3.	CP-25	21.00	20	25	37	23.5	25 Nos.
4.	CP-32	23.00	25	32	40	30.5	25 Nos.
5.	CP-38	25.00	30	38	40	30.5	25 Nos.
6.	CP-40	25.00	32	40	40	38	25 Nos.
7.	CP-50	31.10	40	50	41	49	25 Nos.



Self Adhesive Tie mounts.

Sr. No	Part No.	SP	
		L	W
1.	DETM-19	19	19
2.	DETM-25	25	25
3.	DETM-38	38	38
4.	DETM-50	50	50



Screw Mounting tie Support

Sr. No	Part No.	Max Suitable Tie Width
1.	DESMS-12	5mm
2.	DESMS-19	10mm



Self Adhesive Wire Support

Sr. No	Part No.	Max Suitable Tie Width
1.	DESW-01	8 mm

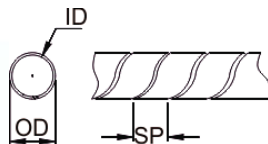
Spiral Wire Bind.

Product Code:- DESWB-01

Material:- LDYE

Operating Temperature: - -5 +80

Spiral Wire Bind are Suitable for bunching of loose wire and Cable.



Product Code	ID	OD	SP	Bundle Length Mtrs.
DB 04	4	6	7	50
DB 06	6	8	10.8	50
DB 09	7.5	10	11.4	25
DB 12	9	12	13.9	25
DB 15	12	15	15	25
DB 19	15	19	18.3	25
DB 25	20	24	19.6	25



Blanking Plug In Metric & YE Threads.

Cat: No. YE-BP-01 Material: Polyamide.

Available In Black & Grey Color Protection : IP - 54

IP 67 with rubber 'O' ring available at additional cost.

Sr. No	Part No.	A	B
1.	DE-BP-7	6	8
2.	DE-BP-9	6	9
3.	DE-BP-11	9.5	9
4.	DE-BP-13.5	9.5	9.5
5.	DE-BP-16	9.5	9.5
6.	DE-BP-21	11	11
7.	DE-BP-29	12	12
8.	DE-BP-36	15	15
9.	DE-BP-42	16	16

Sr. No	Part No.	A	B
10.	YE - BP - 48	12	16
11.	BP-M12X 1.5	6	10
12.	BP-M16X 1.5	7	11.5
13.	BP-M20X 1.5	7	9.5
14.	BP-M25X 1.5	11	15.5
15.	BP - M32 x 1.5	11	16
16.	BP - M40 x 1.5	13	18
17.	BP - M50 x 1.5	13	18.5
18.	BP - M63 x 1.5	15	19



LOCK NUTS In Metric & PG Threads.

Cat. No.: YE - LN - 01

Material: Polyamide 6.

Available in Black & Grey Colour

Compatible with YE Cable Glands & Blanking Plugs.



Sr. No	Threading Type	Part No.	A	B
1.	PG-7	FC -LN- 7	5.2	17.8
2.	PG -9	FC -LN - 9	5.2	24.5
3.	PG-11	FC -LN -11	5.2	26.5
4.	PG -13.5	FC -LN -13.5	6.1	29.5
5.	PG-16	FC -LN-16	6.2	33.5
6.	PG-21	FC -LN - 21	7	39
7.	PG -29	FC -LN - 29	7	50.5
8.	PG-36	FC -LN - 36	8	67
9.	PG -42	FC -LN - 42	8	66
10.	PG -48	FC -LN - 48	9.5	78.66
11.	PG -63	FC -LN - 63	9.5	81.60

Sr. No	Threading Type	Part No.	A	B
1.	M12x1.5	LN - M12 x 1.5	5.0	17.85
2.	M16x1.5	LN- M16 x 1.5	5.1	24.3
3.	M20x1.5	LN - M20 x 1.5	6.1	30.0
4.	M25x1.5	LN - M25 x 1.5	6.15	33.6
5.	M32x1.5	LN - M32 x 1.5	7.3	39.9
6.	M40x1.5	LN- M40 x 1.5	8	48
7.	M50x1.5	LN - M50 x 1.5	8	58
8.	M63x1.5	LN - M63 x 1.5	9.5	78

Rubber Grommets and closures

Cat No. YE-GB-01

Material: Rubber EYEM.

Material: Plastic PVC YRC 60 - 65. (Soft)

Suitable for 2 mm, 2.5 mm & 3 mm Sheet.

CAT NO. No.	Sheet Hole Inches	Diameter mm
DEGB1	3/8"	9.5
DEGB2	1/2"	12.5
DEGB3	5/8"	15.5
DEGB4	3/4"	19.0
DEGB5	7/8"	22.0
DEGB6	1"	25.0
DEGB7	1 1/4"	32.0
DEGB8	1 1/2"	37.5
DEGB9	1 3/4"	44.0
DEGB10	2"	50.0
DEGB11	2 1/4"	56.25
DEGB12	2 1/2"	62.5
PVC GROMMETS-OPEN TYPE OYELY		
DEGBP4	3/4"	19.0
DEGBP6	1"	25.0





EQUIPOTENTIAL BONDING BARS

Equipotential Bonding Bar with HIP Plastic Cover and Base suitable for connecting.

Specification in mm

1 x flat bands to max. 30 x 5 or 8 to 10

1x8 -12 round conductor

7 x one or multi-wired conductor to max. 25 mm² and 16 mm²



ROOF CONDUCTOR SUPPORT

Used for flat roof made up of black, weather resistant plastic a recyclable filling with one conductor holder.

Size mm	Specification	Product Code
8.0	Plastic Enclosed box and lid	DEURH

ROOF CONDUCTOR SUPYERT

Size mm	Specification	Product Code
8/Typ. YEL	Alu. w/Niro Clip	DYERCS-007



END PIECE

Universal Roof Conductor Holder as per DIN 48826 B

Size mm	Specification	Product Code
8.0 -10.0	Aluminum	DYEPA-022
8.0 -10.0	Copper	DYEPC-023
8.0 -10.0	Stainless Steel	DYEYE-024

ROOF CONDUCTOR HOLDER WITH NIRO-CLIP

Universal Roof Conductor Holder as per DIN 48826 B

Size mm	Specification	Holder	Product Code
8.0	S.S.304	Plastic	DYEURH-008
8.0	Cooper	Plastic	DYEURH-009





WALL & ROOF CONDUCTOR HOLDERS

(for attaching wire to wall)

As per DIN 48286 B pit for all the sizes



Size mm	Specification	Holder	Product Code
8.0 Type YEL	S.S./Galvanized/Narnished	Niro Clip	DYENC-011
8.0 Type YEL	S.S./Galvanized/Narnished	Niro Clip	DYENC-012
8.0 Type YEL	S.S./Galvanized/Narnished	Niro Dip	DYENC-013
8.0 Type YEL	S.S./Galvanized/Narnished	Niro Clip	DYENC-014

AL. SQUARE EARTH PLATE WITH AL. PIPE

Used for flat roof made up AL square plate 1 mm thick with 100 mm long AL Pipe

Size mm	Specification	Product Code
100x100x100 Max. 3 mm	Aluminium Earth Assembly	DYEAEA-010



LEAD SQUARE EARTH PLATE WITH LEAD PIPE

Used for flat roof made up Lead square plate 1 mm thick with 30 mm long Lead Pipe

Size mm	Specification	Product Code
100x100x100 Thick -1 to 5	Lead Earth Assembly	DYEAEA-010

CONNECTION CLAMYE & CROSS CLAMYE NUMBER TAGS

Size mm	Specification	Product Code
8.0 -10.0	Aluminum	DYENT-019
16.0	Aluminum	DYENT-020



MULTI CLAMP

Available from 8 mm to 16 mm rod connection

Size mm	Specification	Product Code
8.0 -10.0	S. S. 3041 Glvanized	DYEMC-024
8.0 -16.0	Copper	DYEMC-025

ROUND TYPE EARTH-CLAMP HOLDER PLASTIC (NYLON SIX)

Size mm	Specification	Product Code
8.0	Nylon 6 Clamp	DYENSC-028





DMC BUS BAR SUPPORTS/INSULATORS

"DIVYA" manufactures a wide range of DMC insulators for Control Panels, Boards etc. in various types viz. Conical, Cylindrical, Hexagonal, Hex-Cylindrical.

The Sizes range from the height of 25mm to 75mm. The extruded brass insert varies accordingly from M6 to M12, for the fixing of insulators.

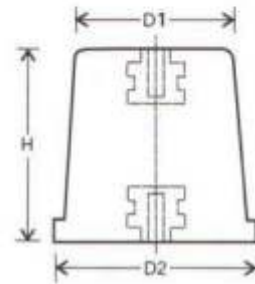
"DIVYA" insulators have excellent electrical and mechanical strength, heat and flame resistance and a very low water absorption capacity.

All "DIVYA" insulators have successfully withstood the tests carried out by reputed test labs.



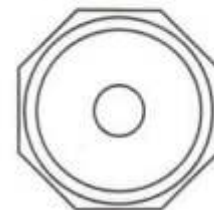
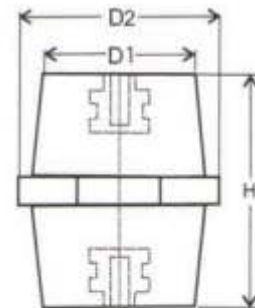
INSULATOR CONICAL SERIES

D1	D2	H	Bush Size	Product Code
22	25	25	M6	DYEBBI-C 2506
28	35	35	M8	DYEBBI-C 3508
40	50	50	M8	DYEBBI-C 5008
45	55	75	M10	DYEBBI-C 7510



INSULATOR HEXAGONAL SERIES

D1	D2	H	Bush Size	Product Code
24	26	25	M6	DYEBBI-2506
26	27	25	M8	DYEBBI-2508
25	33	30	M6	DYEBBI-3006
25	33	30	M8	DYEBBI-3008
26	35	35	M6	DYEBBI-3506
26	34	35	M8	DYEBBI-3508
26	35	35	M10	DYEBBI-3510
30	40	40	M8	DYEBBI-4008
30	40	40	M10	DYEBBI-4010
30	40	45	M8	DYEBBI-4508
30	40	45	M10	DYEBBI-4510
35	45	51	M8	DYEBBI-5108
38	50	51	M10	DYEBBI-5110
38	50	60	M10	DYEBBI-6010
38	50	60	M12	DYEBBI-6012
38	55	76	M10	DYEBBI-7610



LIGHTNING PROTECTION SYSTEM / TYPE FIXINGS

DISCONNECTING LINK



Description	Length (mm)	P-CODE
Disconnecting Link	125	DYEP001

EARTH BARS

Made out of 50 x 6 mm pure copper bar pre-fitted on epoxy powder coated metal base mounted on Insulators
Recommended fixing - round head woodscrew 1-1/2" x no. 16 and wall plug.
Range: 6 ways to 24 ways



Description	Length (mm)	P-CODE
6 Way	400	DYEB006
8 Way	500	DYEB008
10 Way	600	DYEB010
12 Way	700	DYEB012
14 Way	800	DYEB014
16 Way	900	DYEB016
18 Way	1000	DYEB018
20 Way	1100	DYEB020
22 Way	1200	DYEB022
24 Way	1300	DYEB024

EARTH BARS WITH SINGLE DISCONNECTING UNK



Description	Length (mm)	P-CODE
6 Way	475	DYEBS006
8 Way	575	DYEBS008
10 Way	675	DYEBS010
12 Way	775	DYEBS012
14 Way	875	DYEBS014
16 Way	975	DYEBS016
18 Way	1075	DYEBS018
20 Way	1175	DYEBS020
22 Way	1275	DYEBS022
24 Way	1375	DYEBS024

EARTH BARS AND DISCONNECTING LINK

EARTH BARS WITH TWIN DISCONNECTING UNK



Description	Length (mm)	P-CODE
6 Way	550	DYEBD006
8 Way	650	DYEBD008
10 Way	750	DYEBD010
12 Way	850	DYEBD012
14 Way	950	DYEBD014
16 Way	1050	DYEBD016
18 Way	1150	DYEBD018
20 Way	1250	DYEBD020
22 Way	1350	DYEBD022
24 Way	1450	DYEBD024

Note: Other Types and Sizes Available on Customers Request.

EARTH BUS BAR FOR TELECOMMUNICATION

BAR SIZE in mm	LENGTH in mm	No. of M8 size Holes	No. of M12 size Holes	P-CODE
50x6	750	18	5	DYEBT506750
50x6	650	14	5	DYEBT506650
50x6	500	12	3	DYEBT506500
50x6	450	10	3	DYEBT506450
50x6	400	8	3	DYEBT506400
50x6	350	6	3	DYEBT506350
100x6	750	41	5	DYEBT506750
100x6	650	33	5	DYEBT506650
100x6	500	27	3	DYEBT506500
100x6	450	23	3	DYEBT506450
100x6	400	19	3	DYEBT506400
100x6	350	15	3	DYEBT506350

Note: Other Types and Sizes Available on Customers Request.



FASTNERS

HEXAGON HEAD SET SCREW

MATERIAL: STAINLESS STEEL / COPPER ALLOY



Thread Size	Thread Length (mm)	P-CODE
M6	10	DYES0610
	12	DYES0612
	16	DYES0616
	20	DYES0620
M8	16	DYES0816
	20	DYES0820
	25	DYES0825
	30	DYES0830
M10	16	DYES1016
	20	DYES1020
	25	DYES1025
	30	DYES1030
	35	DYES1035
M12	25	DYES1225
	30	DYES1230
	35	DYES1235
	40	DYES1240
	50	DYES1250

HEXAGON NUT

MATERIAL: STAINLESS STEEL / COPPER ALLOY



Thread Size	P-Code
M6	DYEN006
M8	DYEN008
M10	DYEN010
M12	DYEN012

FLASH ROUND WASYER

MATERIAL: STAINLESS STEEL / COPPER ALLOY



Thread Size	P-Code
M6	DYEW006
M8	DYEW008
M10	DYEW010
M12	DYEW012

SPRING WASYER

MATERIAL: STAINLESS STEEL / COPPER ALLOY



Thread Size	P-Code
M6	DYESW006
M8	DYESW008
M10	DYESW010
M12	DYESW012

FASTNERS

NAIL

MATERIAL: COPPER PLATED MILD STEEL



Thread Size	E-Code
3 x 50	DYESN0350
4x50	DYESN0450
5x 50	DYESN0550
6 X 50	DYESN0650

WOOD SCREW

MATERIAL: STAINLESS STEEL / COPPER ALLOY



Thread Size	E-Code
1 1/4" x NO. 10	DYEWS114010
1 1/4" x NO. 12	DYEWS114012
1 1/2" x NO. 10	DYEWS112010
1 1/2" x NO. 12	DYEWS112012

PLASTIC WALL PLUGS

MATERIAL: PVC PLASTIC



Thread Size	E-Code
M10	DYEP010
M12	DYEP012
M14	DYEP014

BENEFITS OF USING STAINLESS STEEL FASTENERS.



All SS Fastners are manufactured from non magnetic grade SS 304.

Highly corrosion resistant

No extra surface treatment required for protection against corrosion.

High tensile strength for better torque ratings to ensure proper functioning of the products.



T - CONNECTORS

Standard type

Material: E - Copper

Finish: Copper / Tin Plated



Cable mm ²	Dimensions				Product Code
	A	C	J	L	
1.5	1.8	3.3	30	12	DYECW-1.5
2.5	2.3	4.2	30	12	DYECW-2.5
4	3.0	5.0	30	12	DYECW-4
6	4.0	6.0	35	14	DYECW-6
10	4.5	7.0	35	14	DYECW-10
16	5.5	8.5	50	21	DYECW-16
25	7.0	10.0	55	23	DYECW-25
35	8.5	12.0	70	30	DYECW-35
50	10.0	14.0	80	34	DYECW-50
70	12.0	16.5	85	35	DYECW-70
95	13.5	18.0	90	36	DYECW-90
120	15.0	19.5	95	38	DYECW-120
150	16.5	21.0	110	44	DYECW-150
185	19.0	24.0	115	45	DYECW-185
240	21.0	26.0	130	52	DYECW-240

CROSS CONNECTORS

Standard type

Material: E - Copper

Finish: Copper / Tin Plated



Cable mm ²	Dimensions				Product Code
	A	C	J	L	
1.5	1.8	3.3	30	12	DYCCW-1.5
2.5	2.3	4.2	30	12	DYCCW-2.5
4	3.0	5.0	30	12	DYCCW-4
6	4.0	6.0	35	14	DYCCW-6
10	4.5	7.0	35	14	DYCCW-10
16	5.5	8.5	50	21	DYCCW-16
25	7.0	10.0	55	23	DYCCW-25
35	8.5	12.0	70	30	DYCCW-35
50	10.0	14.0	80	34	DYCCW-50
70	12.0	16.5	85	35	DYCCW-70
95	13.5	18.0	90	36	DYCCW-90
120	15.0	19.5	95	38	DYCCW-120
150	16.5	21.0	110	44	DYCCW-150
185	19.0	24.0	115	45	DYCCW-185
240	21.0	26.0	130	52	DYCCW-240



MECHANICAL CABLE LUGS - BOLTED WITH 2 SCREWS AND 4 SCREWS

MATERIAL : BRASS • FINISH ELECTRO PLATED

STEEL SCREWS : ELECTRO PLATED

Cable mm ²	Dimensions					Screw	Type	Product Code
	A	G	D	J				
10	4.0	6.0	15.0	32.5		M-5	I	DY2B-10
16	5.1	8.5	17.0	37.0		M-5	I	DY2B-16
25	6.3	8.5	18.75	42.0		M-5	I	DY2B-25
35	7.5	10.5	21.50	4.0		M-5	I	DY2B-35
50	9.5	10.5	23.0	56.5		M-6	II	DY4B-50
75	11.0	13.25	26.0	61.0		M -6	II	DY4B-75
100	13.0	14.30	29.0	65.0		M-6	II	DY4B-100
120	14.0	14.80	32.0	71.0		M-6	II	DY4B-120
170	16.0	16.0	33.0	81.0		M - 8	II	DY4B-170
200	17.0	17.0	35.0	85.0		M-8	II	DY4B-200
250	18.0	17.0	38.0	87.5		M-8	II	DY4B-250
300	21.0	19.8	45.0	118		M -10	II	DY4B-300
400/500	25.5	22.0	53.0	132		M -10	II	DY4B-400/500
700	34.0	22.0	60.0	150		M -10	II	DY4B-700

Note: All Dimensions in mm



TINNED SCREW SLEEVES

MATERIAL : BRASS • FINISH ELECTRO TINNED

Cable mm ²	Dimensions		Product Code
	A	J	
6	3.5	20	DYEBSS 6
10	4.4	30	DYEBSS 10
16	5.5	40	DYEBSS 16
25	6.8	45	DYEBSS 25
35	8.2	45	DYEBSS 35
50	9.5	48	DYEBSS 50
70	11.2	52	DYEBSS 70
95	13.4	55	DYEBSS 95
120	15	55	DYEBSS 120
150	16.5	60	DYEBSS 150
185	19	60	DYEBSS 185
240	21	65	DYEBSS 240
300	23.5	65	DYEBSS 300

Note: All Dimensions in mm



Copper Aluminum Parallel Groove Clamp (CYEE Type)

Type	Conductor (mm ²)	Dimensions (mm)			Bolts
		B	L	H	
DEE-A	Cu: 6-50 ALT 6 -70	42	26	40	1 MS
DEE-B1	Cu: 6-60 AL:16 -70	42	40	45	2 M8
DEE-B2	Cu: 10-95 AL:16 -150	46	50	50	2 M8
DEE-B3	Cu: 25-185 AL:35-200	59	64	60	2 M10
DEE-C1	Cu: 10-95 AL:2 5-150	46	70	50	3M8
DEE-C2	Cu:25-200 AL:35-240	59	90	60	3 M10



1. Materials: Copper and Aluminum
2. Product Features: High compound strength, High electrical conductivity, Easy installation.
3. Application: Electrical conduction industry (Be used for connecting or branching AAC, AAAC or ACSR overhead conductors).

Aluminum Parallel Groove Clamp (YEE Type)

Type	Conductor (mm ²)	Dimensions (mm)			Bolts
		B	L	H	
DEE-A1	AL: 16-70	42	26	40	1 M8
DEE-A2	AL16-150	46	30	45	1 M8
DEE-B1	AL: 16-70	42	40	45	2M8
DEE-B2	AL: 16-150	46	50	50	2M8
DEE-B3	AL25-185	59	64	60	2 M10
DEE-C1	AL16-150	46	70	50	3M8
DEE-C2	AL:25-240	59	90	60	3M10



1. Materials: 1000 series Aluminum
2. Product Features: High electrical conductivity, Easy installation.
3. Application: Electrical conduction industry (Be used for connecting or branching AAC, AAAC or ACSR overhead conductors).



Divya Aluminum Parallel Groove Clamp



Type	Conductor (mm ²)	Dimensions (mm)			Bolts
		B	L	H	
DBL-16-120A	16-120	46	45	55	2
DBL-16-120B	16-120	46	64	55	3
DBL-50-240A	50-240	60	45	70	2
DBL-50-240B	50-240	60	70	70	3
DBL-120-300A	120-300	74	90	75	2
DBL-120-300A	120-300	74	90	75	3

1. Materials: 1060 Aluminum
2. Product Features: High electrical conductivity, Corrosion resistance, Easy installation.
3. Application: Electrical conduction industry (For aluminum to aluminum conductor splice/tape connections).

Copper Aluminum Parallel Groove Clamp (JBTL Type)



Type	Conductor (mm ²)	Dimensions (mm)			Bolts
		B	L	H	
JBTL-16-120	16-120	48	45	55	2
JBTL-50-240	50-240	60	45	58	2

1. Materials: T2 Copper and 1060 Aluminum
2. Product Features: High compound strength, High electrical conductivity, Easy installation.
3. Application: Electrical conduction industry (For aluminum to copper conductor splice/tape connections).



Brass Threaded Inserts

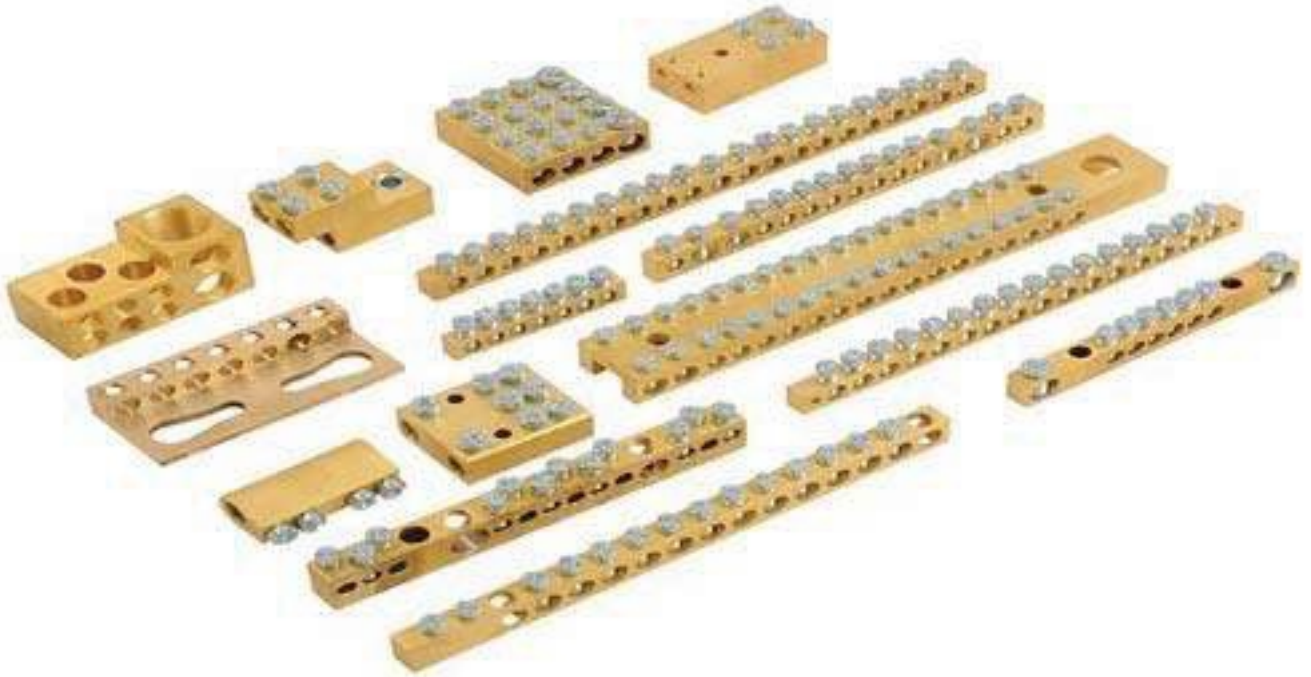


Brass Wire Connctors





Electrical Wire Terminal Bars, Cable Gland & Accessories



Electrical Power Clamp Assemblies





Sr. No.	Size
1.	20s to 100L

46. CW Cable Gland



Sr. No.	Size
1.	20s to 90L

47. BW 2 Part Cable Gland



Sr. No.	Size
1.	20s to 90L

48. E1W Cable Gland



Sr. No.	Size
1.	20s to 125L

44. A1/A2 Cable Gland



Sr. No.	Size
1.	25mm to 75mm

50. Marine Cable Glands



Sr. No.	Size
1.	20s to 90L

51. BW 4 Part Cable Gland



Sr. No.	Size
1.	All Size

52. YE IP - 65 Cable Glands



Sr. No.	Size
1.	All Size

53. YE IP - 68 Cable Glands



Sr. No.	Size
1.	G204 to G725

54. Alco Cable Gland



Sr. No.	Size
1.	20s to 100L

55. Brass Male Bush



Sr. No.	Size	
1.	12 mm	12 mm
2.	16 mm	20 mm
3.	20 mm	30 mm
4.	30 mm	42 mm
5.		48 mm

56. Transformer Part HV and LV



SE STRAPS

ONE HOLE

UPC NO.	SIZE	Product CODE
14870	3#8,6,4	DYE-1501
14880	3#3, 2	DYE-1502
14890	311,1/0,2/0	DYE-1503
14900	3# 3/0,4/0	DYE-1504



TWO HOLE

UPC NO.	SIZE	Product CODE
14870	3#8,6,4	DYE-1501
14880	3#3, 2	DYE-1502
14890	311,1/0,2/0	DYE-1503
14900	3# 3/0,4/0	DYE-1504



ONE HOLE

UPC NO.	SIZE	Product CODE
12015	3#8-4	DYE-1232A
12055	3#1/0-2/0 SE	DYE-1282A
12056	3#3/0~4/0 SE	DYE-1284A



STRUT CLAMP

UPC NO.	SIZE	Product CODE
41031	1/2"	DYE-2101
41032	3/4"	DYE-2102
41033	1"	DYE-2103
41034	1 1/4"	DYE-2104
41035	1 1/2"	DYE-2105
41036	2'	DYE-2106
41037	2 1/2"	DYE-2107
41038	3"	DYE-2108
41039	3 1/2"	DYE-2109
41040	4"	DYE-2110

DUPLEX TERMINAL LUGS - COPPER

UPC NO.	SIZE	Product CODE
18240	2#1/0 2#4/0	DYE-1814
18250	2# 1/0 2#350 MCM	DYE-1815
18260	2#4/0 2#500 MCM	DYE-1816



LYE-IN-TYPE-ALUMINIUM

UPC NO.	SIZE	Product CODE
18210	14 4	DYE-1810
18220	8 1/0	DYE-1811
18230	6 250/MCM	DYE-1812





STRUT CHANNEL

Material: Steel

Finish: Zinc Plated / Pre - Galvanized / Hot deep Galvanized

Size : 41 X 41

Thickness	Length	Product CODE
1.5 mm	3.00 m	DYST-41315
1.5 mm	6.00 m	DYST-41615
2.0 mm	3.00 m	DYST-41320
2.0 mm	6.00 m	DYST-41620
2.5 mm	3.00 m	DYST-41325
2.5 mm	6.00 m	DYST-41325

Size : 41 X 21

Thickness	Length	Product CODE
1.5 mm	3.00 m	DYST-21315
1.5 mm	6.00 m	DYST-21615
2.0 mm	3.00 m	DYST-21320
2.0 mm	6.00 m	DYST-21620
2.5 mm	3.00 m	DYST-21325
2.5 mm	6.00 m	DYST-21625

While Ordering:

Add the Type : P for (Plain) & S (Slotted)

Specify the finish : ZP for (Zinc Plated), PG for (Pre Galvanized) & HDG for (Hot Deep Galvanized).



CHANNEL NUTS

Material: Channel nuts are cold pressed & tapped so that teeth will provide a 'BITING' action into turned edges of channel sections. Nut bodies are designed with beveled end which lock into position by contact with interior side walls of channel when turned to 90 degree.

Channel nuts are also available in SS-304 & SS-316 grades with bright finish as per BS-6946.

Finish available: Zinc Plated, Yellow passivation, Hot dip galvanized



CHANNEL NUTS W/O SPRING

SIZE (MM) X (H)	PRODUCT CODE
M6 x 6 mm	DYA-001
M8 x 6 mm	DYA-002
M10x8mm	DYA-003
M12x8 mm	DYA-004
M12x 10 mm	DYA-060
M16x 12 mm	DYA-061

CHANNEL NUTS WITH SPRING (Short & Conical)

SIZE (MM) X (H)	PRODUCT CODE
M6 x 6 mm	DYA-005
M8 x 6 mm	DYA-006
M10x 8 mm	DYA-007
M12x8mm	DYA-008
M12x 10 mm	DYA-059

CHANNEL NUTS WITH LONG SPRING

SIZE (MM) X (H)	PRODUCT CODE
M6 x 6 mm	DYA-009
M8 x 6 mm	DYA-010
M10x8 mm	DYA-011
M12 x 8 mm	DYA-012
M12x 10 mm	DYA-058



SPLIT-BOLT CONNECTORS

For Copper To Copper Connections.

TYPE H — HIGH STRENGTH SPLIT-BOLT CONNECTORS

- Bolt and nut of high-strength corrosion-resistant bronze alloy
- Pressure bar is copper through 40H, copper alloy for 350 kcmil and above
- Bolt and nut of hex design up to 350 kcmil



CONDUCTOR RANGE (AWG OR KCMIL)						
CAT. NO.	RANGE FOR EQUAL MAIN AND TAP	MIN TAP WITH ONE MAX MAIN	DIMENSION (IN.)			
			A	B	C	D
DSBL9N	10 Str.-12 Sol.	14 Sol.	3/8	.146	1/2	25/32
DSBL8H	8 Str.-10 Sol.	14 Sol.	3/8	.146	1/2	25/32
DS8L8KT	8 Str.-12 Sol.	16 Str.	3/8	.146	1/2	29/32
DSBL6H	6 Sol.-8 Sol.	14 Sol.	15/32	.170	21/32	31/32
DSBL6H3	6 Sol.-10 Sol.	16 Str.	15/32	.170	21/32	11/8
DS8L4H	4 Sol.-8 Sol.	14 Sol.	17/32	.235	23/32	11/16
DS8L4YE	4 Sol.-8 Sol.	16 Sfr.	17/32	.235	23/32	19/32
DS8L3H	3 Sol.-8 Sol.	16 Str.	17/32	.235	23/32	11/16
DSBL3H3	4 Str.-S Sol.	16 Str.	17/32	.235	23/32	19/32
DSBL2H	2 Sol.-6 Sol.	14 Sol.	19/32	.271	25/32	11/4
DSBL2H3	26 Sol.	14 Sol.	19/32	.271	25/32	115/32
DBBL1H	2 Str.-6 Sol.	14 Sol.	11/16	.330	7/8	111/32
DSBL1H3	2 Str.-6 Sol.	14 Sol.	11/16	.330	7/8	15/8
DSBL10H	1/0 Sfr.-4 Sol.	14 Sol.	3/4	.385	15/16	119/32
DSBL20H	2/0 Str.-2 Sol.	14 Sol.	7/8	.443	11/16	113/16
DSBL30H	4/0 Str.-2 Sol.	6 Sol.	1	.580	15/16	25/32
DSBL40H	250 kamil-1 Srr.	8 Sol.	1	.580	15/16	25/32
DSBL350M	350 kcmil-2S0 kcmil	1/0 Str.	15/16	.717	121/32	211/16
DSBL500M	500 kamil-400 kcmil	2/0 Str.	11/2	.842	17/8	31/32
DSBL750M	750 kcmil-600 kamil	4/0 Str.	115/16	1.029	21/4	321/32
DSBL1000M	1.000 kcmil-800 kcmil	4/0 Str.	21/4	1.185	217/32	41/32

For use on Copper, Aluminum and ACSR Conductors

TYPE EPS - PLATED SPLIT - BOLT CONNECTORS WITH SPACER

- Bolt and pressure bar of copper alloy, completely tin plated for corrosion resistance
- Contoured spacer erf electrolytic copper up through 4/0, bronze alloy for 350 kcmil and above, all tin plated



CONDUCTOR RANGE (AWG OR KCMIL)							
CAT. NO.	RANGE FOR EQUAL MAIN AND TAP ACSR	RANGE FOR EQUAL MAIN AND TAP COPPER OR ALUMINIUM	MIN TAP WITH ONE MAX MAIN	DIMENSION (IN.)			
				A	B	C	D
DEC9YEP	—	10 Str.-12 Sol.	12 Sol.	3/8	.146	1/2	29/32
DEC8YEP	—	8 Str.-12 Sol.	12 Sol.	3/8	.146	1/2	29/32
DEC6YEP	8	6 Sol.-12 Sol.	12 Sol.	15/32	.170	21/32	11/8
DEC4YEP	6-8	4 Sol.-12 Sol.	12 Sol.	17/32	.235	25/32	19/32
DEC2YEP	4-8	2 Sol.-8 Sol.	8 Sol.	19/32	.271	25/32	115/32
DEC1YEP	2S	1 Str.-8 Sol.	8 Sol.	11/16	.330	7/8	15/8
DEC10YEP	1-6	1/0 Str.-6 Sol.	6 Sol.	3/4	.385	15/16	113/16
DEC20YEP	1/0-6	2/0 Str.-6 Str.	6 Sol.	7/8	.443	11/16	21/16
DEC40YEP	4/0-4	4/0 Str.-4 Sol.	4 Sol.	1	.580	15/16	215/32
DEC350YEP	266.8-1/0	350 kcmil-1/0 Str.	2 Sol.	15/16	.717	121/32	211/16
DEC500YEP*	397.5-1/0	500 kcmil-1/0 Str.	1/0 Str.	11/2	.842	17/8	31/32
DEC750YEP*	666.6-4/0	750 kcmil-4/0 Str.	2/0 Str.	115/16	1.029	21/4	321/32
DEC1000YEP*	900-477	1000 kcmil-500 kcmil	4/0 Str.	21/4	1.185	217/32	41/32



SPLIT-BOLT CONNECTORS

For combination of Copper, Aluminium And ACSR Conductors.
TYPE HPW — PLATED SPLIT-BOLT CONNECTORS WITH SPACER AND WASHER

- Bolt and pressure bar of high-strength copper alloy completely tin plated
- Spacer and washer of electrolytic copper up through 4/0, bronze alloy 350 kcmil and above, all tin plated
- Contoured spacer and bell mouth washer distribute pressure over large area of conductor
- Large contoured spacer provides wide separation between copper and aluminum conductors

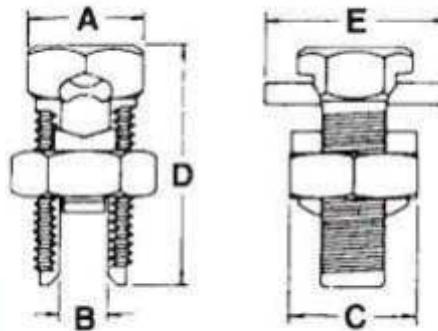


CONDUCTOR RANGE (AWG)							
CAT. NO.	RANGE FOR EQUAL MAIN AND TAP ACSR	RANGE FOR EQUAL MAIN AND TAP COPPER OR ALUMINIUM	MIN TAP WITH ONE MAX MAIN	DIMENSION (IN.)			
				A	B	C	D
DYECWSYEP	8-6	Sol.-12 Sol.	12 Sol.	15/32	.170	21/32	11/8
DYECW4YEP	6-8	4 Sol.-12 Sol.	12 Sol.	17/32	.235	23/32	19/32
DYECW2YEP	4-8	2 Sol.-8 Sol.	8 Sol.	19/32	.271	25/32	115/32
DYECW1YEP	2-8	1 Str.-8 Sol.	8 Sol.	11/16	.330	7/8	15/8
DYECW10YEP	1-6	1/0 Str.-6 Sol.	6 Sol.	7/8	.385	15/16	21/16
DYECW20YEP	1/0-6	2/0 Str.-6 Sol.	6 Sol.	7/8	.443	11/16	21/16
DYECW40YEP	4/0-4	4/0 Str.-4 Sol.	4 Sol.	1	.580	15/16	215/32

Accommodates all Aluminium and Copper Conductor Combinations

TYPE APS — ALUMINUM DUAL-RATED SPLIT BOLTS

- 6 bolts cover range from #10 to 4/0 AWG
- Install with standard wrenches
- Corrosion-resistant fin-plated aluminum
- Tested and Listed to UL?



CONDUCTOR RANGE (AWG)							
CAT. NO.	RANGE FOR EQUAL MAIN AND TAP COPPER OR ALUMINIUM	MIN TAP WITH ONE MAX MAIN	DIMENSION (IN.)				
			A	B	C	D	
DEE6W	4 Sol.-6 Sol.	4 Sol.-12 Sol.	17/32	.236	23/32	19/32	
DEE4W	2 Sol.-4 Sol.	2 Sol.-10 Sol.	19/32	.272	25/32	115/32	
DEE2W	1 Str.-4 Sol.	1 Str.-8 Sol.	11/16	.330	7/8	15/8	
DEE1W	1/0 Str.-2 Sol.	1/0 Str.-6 Sol.	7/8	.443	11/8	21/16	
DEE10W	2/0 Str.-2 Sol.	2/0 Str.-6 Sol.	7/8	.443	11/8	21/16	
DEE40W	4/0 Str.-2/0 Sc	4/0 Str.-4 Sol	1	.580	11/4	215/32	



SPLIT-BOLT CONNECTORS

TYPE AAW — ALUMINUM SPLIT-BOLT CONNECTORS WITH SPACER AND WASHERS

- Bolt, nut, pressure bar and contoured spacer of aluminum alloy
- Large contoured spacer provides wide separation
- Nut anodized to prevent thread galling



CAT. NO.	CONDUCTOR RANGE (AWG)			DIMENSION (IN.)			
	RANGE FOR EQUAL MAIN AND TAP ACSR	RANGE FOR EQUAL MAIN AND TAP COPPER OR ALUMINIUM	MIN TAP WITH ONE MAX MAIN	A	B	C	D
	DEE6C	6-8	4 Sol. -8 Sol.	10 Sol.	17/32	.236	23/32
DEE4C	4-82	SoL-8 Sol.	8 Sol.	19/32	.272	25/32	115/32
DEE2C	2-8	1 Str.-8 Sol.	8 Sol.	11/16	.330	7/8	15/8
DEE1C	1-4	1/0 Str.-2 Sol.	4 Sol.	7/8	.443	11/8	21/16
DEE10C	1/0-4	2/0 Str.-2 Sol.	4 Sol.	7/8	.443	11/8	21/16
DEE40C	4/0-4	4/0 Str.-4 Sol.	4 Sol.	1	.580	11/4	215/32

Contoured Spacer And Bell-Mouth Washer Distribute Pressure Over Large Area of Conductor

TYPE HCA — ALUMINUMS PLIT-BOLT CONNECTORS WITH SPACER AND WASHER

- Bolt, nut and washer made of high-strength aluminum alloy
- Pressure bar and contoured spacer made of electrolytic copper
- Spacer is completely tin plated
- Bolt and nut are anodized to prevent seizing of threads and reduce galvanic corrosion when in contact with copper conductor



CAT. NO.	CONDUCTOR RANGE (AWG)			DIMENSION (IN.)			
	RANGE FOR EQUAL MAIN AND TAP COPPER OR ALUMINIUM		MIN TAP WITH ONE MAX MAIN	A	B	C	D
	DEE6W	4 Sol.-6 Sol.		4 Sol.-12 Sol.	17/32	.236	23/32
DEE4W	2 Sol.-4 Sol.		2 Sol.-10 Sol.	19/32	.272	25/32	115/32
DEE2W	1 Str.—4 Sol.		1 Str. -8 Sol.	11/16	.330	7/8	15/8
DEE1W	1/0 Str.-2 Sol.		1/0 Str.-6 Sol.	7/8	.443	11/8	21/16
DEE10W	2/0 Str.—2 Sol.		2/0 Str.—6 Sol.	7/8	.443	11/8	21/16
DEE40W	4/0 Str.-2/0 Sol.		4/0 Str. -4 Sol.	1	.580	11/4	215/32



DIVYA SERVICE POST CONNECTORS

For Grounding Of Steel Structures, Fence Posts

SERVICE POST CONNECTORS

- For copper-to-copper connections
- For tapping one or two cables from bus bar
- Hex design bolts machined from high-conductivity bronze alloy
- Nuts and pressure bars cold-formed from high-strength copper or copper alloy



SINGLE - AND DOUBLE-CONDUCTOR SERVICE POST CONNECTORS, SHORT STUD

CONDUCTOR RANGE (AWG)													
						MAXIMUM DIAMETER RANGE (IN.)	STUD SIZE	DIMENSIONS (IN)					
CAT		STRANDED		SOLID				A	AA	B	C	D	E
SP-D	SP-S	MAX.	MIN.	MAX.	MIN.								
DEYEDS	DDYESS	8	12	8	12	.146-.080	1/4-20x 1/2	11/16	13/16	1/2	55/64	15/32	1/2
DEP1DS	DSP1SS	7	10	6	10	.170-.102	1/4-20 x 1/2	13/16	31/32	1/2	55/64	15/32	21/32
DEP2DS	DSP2SS	5	10	4	10	.217-.102	5/16-18 x 5/8	15/16	11/8	5/8	53/64	17/32	23/32
DEP3DS	DSP3SS	3	10	2	10	.271-.102	36-16x5/8	1/2	11/4	5/8	61/64	5/8	25/32
DEP4DS	DSP4SS	1	8	2	8	.332-.128	36-16x5/8	11/16	13/8	5/8	61/64	11/16	7/8
DEP5DS	DSP5SS	1/0	2	2	35mm2	.385-.258	1/2-13x34	11/4	119/32	3/4	15/64	3/4	15/16
DEP6DS	DSYESS	2/0	2	2	35mm2	.443.258	/2-13 x 34	113/32	113/32	3/4	15/64	7/8	11/16
DEP8DS	DSYESS	4/0	1	-	-	.570-.289	56-11 x 1	19/16	21/16	1	119/64	1	15/16
DEP9DS	DSYESS	350	1/0	-	-	.715-.373	56-11 x 1	2	23/4	11/4	119/64	15/16	111/16
DEP10DS	DSP10SS	500	3/0	-	-	.840-.464	34-10 x11/4	21/4	31/8	13/4	131/64	11/2	17/8



DIVYA SERVICE POST CONNECTORS

OR TRANSFORMERS USING ONE OR TWO CABLES

- Available in sizes for #12 - 500 kcmil stranded and #12 - #2 solid copper conductor
- Available in both single- and double-conductor versions



SINGLE - AND DOUBLE-CONDUCTOR SERVICE POST CONNECTORS, LONG STUD

CONDUCTOR RANGE (AWG)													
CAT		STRANDED		SOLID		MAXIMUM DIAMETER RANGE (IN.)	STUD SIZE	DIMENSIONS (IN)					
SP-D	SP-S	MAX.	MIN.	MAX.	MIN.			A	AA	B	C	D	E
DSYESL	DYEOL	8	12	8	12	.146-.080	1/4-20X1	11/16	13/16	1	55/64	15/32	1/2
DSP1SL	YSP1DL	7	10	6	10	.170-.102	1/4-20X1	13/16	31/32	1	55/64	15/32	21/32
DSP2SL	DSP2DL	5	10	4	10	.217-.102	5/16-18 x 1	15/16	11/8	1	53/64	17/32	23/32
DSP3SL	DSP3DL	3	10	2	10	.271-.102	3/8-16x1 1/8	1	11/4	11/8	61/64	5/8	25/32
DSP4SL	DSP4DL	1	8	2	8	.332-.128	3/8-16 x 1 1/8	11/16	13/8	11/8	61/64	11/16	7/8
DSP5SL	DSP5DL	1/0	2	2	-	.385-.258	1/2-13 x 11/14	11/4	119/32	11/4	15/64	3/4	15/16
DSP6SL	DSP6DL	2/0	2	2	-	.443.258	1/2-13 x 11/14	113/32	113/16	11/4	15/64	7/8	11/16
DSP8SL	DSP8DL	4/0	1	-	-	.570-.289	5/8-11 x11/2	19/16	21/16	11/2	119/64	1	15/16
DSP9SL	DSP9DL	350	1/0	-	-	.715-.373	5/8-11 x 11/2	2	23/4	11/2	119/64	15/16	111/16
DSP10SL	DSP10DL	500	3/0	-	-	.840-.464	34-10 x 13/4	21/4	31/8	11/2	131/64	11/2	17/8



PARALLEL GROOVE CONNECTORS

Create a superior electrical connection - while saving time and money.
DIVYA BRONZE VICELOCK CONNECTORS

- Make a permanent connection
- Vibration-resistant
- Install quickly and easily with no need for special or heavy tools
- Can be installed with live lme tools
- V-grooves enable easy conductor alignment
- Simple to install without cross-threading
- Full thread engagement design increases bolt strength
- High-pressure/torque ratio ensures a low electrical resistance connection.
- Helps reduce inventory by accepting a wide range of conductors



Specifications

Silicon Bronze material (CDA956000) for higher yield strength
Large size include stainless steel hardware.

Typical Applications

Distribution loads
Service bonding
Tap connections
Ground connections
Also has grounding capability with a variety of cable tray, channel and strut applications.

2 CONFDUCTORS WIRE RANGE*				INNER CTN.QTY.	MASTER CTN.QTY.	COMPETITOR FARGO	CROSS REF RELIABLE
CAT NO.	MAX.	MIN.	DECIMAL				
DEGC68	6 Sol.	#10 Sol.	.162-101	50	250	YGC-5006	BVC-6
DEGC68SH	4 Sol.	#10 Sol.	.162-101	50	250	YGC-5006SH	—
DEGC44	4 Str.	#8 Sol.	.232-.128	50	250	YGC-5004	BVC-4
DEGC23	2 Sol.	#6 Sol.	.286-.162	50	250	YGC-5002	BVC-2
DEGC12	2 Str.	#5 Sol.	.320-.181	50	250	YGC-5002S	BVC-2S
DEGC2010	1/0 Str.	#4 Sol.	.390-.204	50	250	YGC-5020	BVC-20
DEGC3020	2/0 Str.	#3 Sol.	.438-229	25	125	YGC-5020S	BVC-20S
DEGC4040	4/0 Str.	#1 Sol.	.552-289	25	125	YGC-5040	BVC-40





INSULATED CONDUCTOR CONNECTORS

No need to strip conductor insulation or use tape after installation.

TYPE IPC — TALON INSULATION PIERCING CONNECTORS

- For copper-to-copper, copper-to-aluminum and aluminum-to* aluminum applications (insulated conductor only)
- Performs as splice or tap for non-tension applications up to 600 volts, depending on size of connector
- Self-insulated for hot line applications
- 6 sizes cover range from #10-500 kcmil.



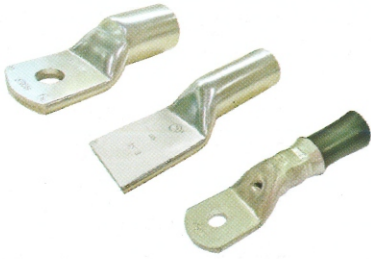
AL OR CU CONDUCTOR RANGE							
CAT.NO.	AWG/MM2		NO. BOLTS	FIG.	DIMENSIONS (IN)		
	MAIN	TAP			W	H	L
DEPC1102	1/0-8	2-8	1	1	29/16	2	117/32
	50-6	35-6					
DEPC4111	4/0—1/0	1/0-6	2	2	21/2	3	119/32
	95-50	50-16					
DEPC4141	4/0—1/0	4/0-1/D	2	2	25/8	31/4	129/32
	95-50	95-50					
DEPC5041*	500-350	4/0-4	1	1	2	21/2	21/8
	240-185	90-25					
DEPC3535	350-4/0	350-4/0	2	2	21/16	21/2	21/8
	185-95	185-95					
DEPC3541	350-4/0	4/0-10	1	1	23/4	3	25/8
	185-95	95-6					



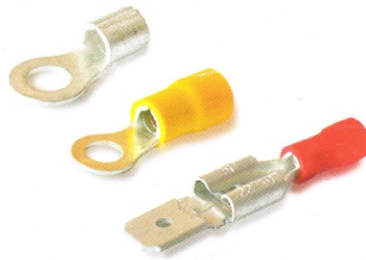
DIVYA INTERNATIONAL

MERCHANT EXPORTER

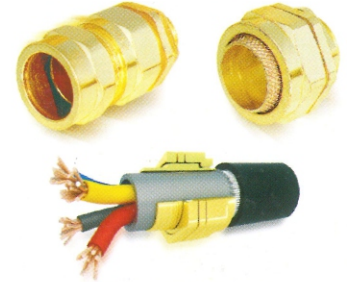
Our Other Products



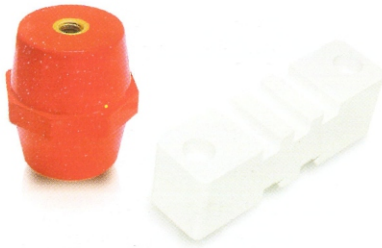
TUBULAR CABLE LUGS



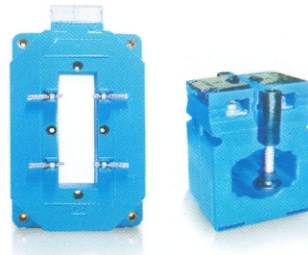
TERMINAL ENDS



CABLE GLANDS



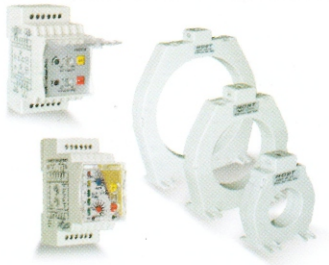
BUSBAR SUPPORT & INSULATOR



CURRENT TRANSFORMERS



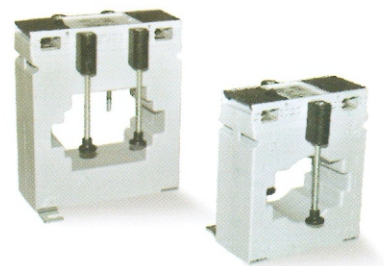
LIGHTNING PROTECTION



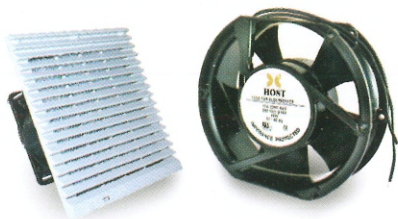
EARTH LEAKAGE RELAYS & CORE BALANCE Cts



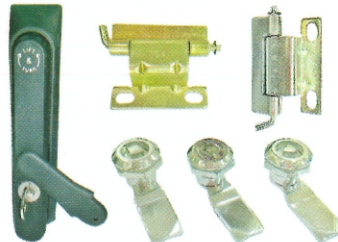
ANALOGUE PANEL BOARD INSTRUMENTS / DIGITAL SWITCHBOARD INSTRUMENTS



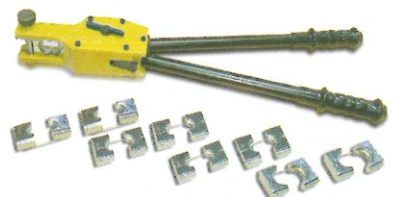
CURRENT TRANSFORMERS



COOLING FANS & FILTERS

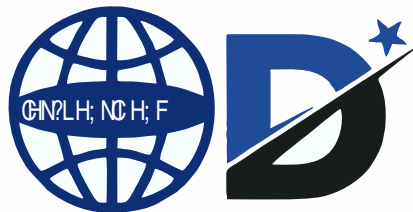


LOCKS & HINGES



CRIMP TOOLS





DIVYA INTERNATIONAL

MERCHANT EXPORTER

503,Panthe apartment, Plot no 49, Tilak Rd No 3,
Goregaon west, Mumbai 400104

T. +91 9699199910 /+91 9322199910

E. divya_international@yahoo.com.
hemangv64@gmail.com